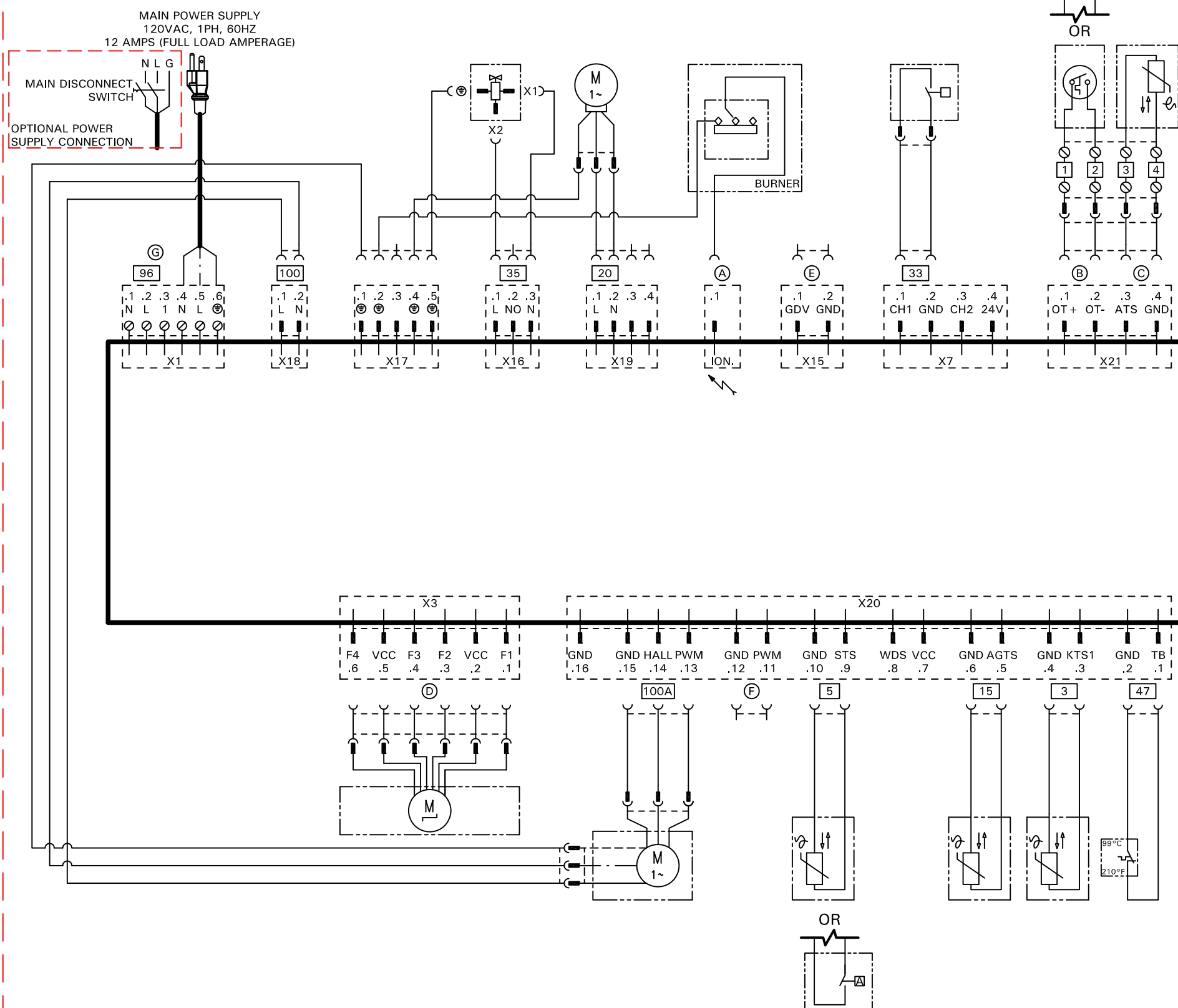


Vitodens 100-W, B1HA-26/35/94/125



- | | |
|---|---|
| (A) Ignition/Ionization | (3) Boiler Temperature Sensor |
| (B) Room Thermostat (Dry Contact) or OpenTherm (OT) Interface Input | (5) DHW Tank Temperature Sensor or Aquastat |
| (C) Outdoor Temperature Sensor (OTS) | (15) Flue Gas Temperature Sensor |
| (D) Diverting Valve Stepper Motor | (20) Boiler Pump (Internal) |
| (E) GDV Input (Not Used) | (33) Flow Switch |
| (F) PWM Pump Output (Not Used) | (35) Gas Valve |
| (G) Powered Accessory Connection or 120VAC Room Thermostat (RT) | (47) Fixed High Limit |
| | (100) Fan Motor |
| | (100A) Fan Motor Control |

WARNING! DISCONNECT POWER BEFORE SERVICING BOILER.

CAUTION! LABEL ALL WIRES PRIOR TO DISCONNECTION WHEN SERVICING CONTROLS. WIRING ERRORS CAN CAUSE IMPROPER AND DANGEROUS OPERATION. VERIFY PROPER OPERATION AFTER SERVICING.

IF ANY OF THE ORIGINAL WIRE AS SUPPLIED WITH THE APPLIANCE MUST BE REPLACED IT MUST BE REPLACED WITH ITS EQUIVALENT.

Electrical Installations Must Comply With;
 In the U.S.A. National Electrical Code (NEC), ANSI/NFPA 70 and any other national, state, and local codes and/or regulations.
 In Canada, the Canadian Electrical Code (CEC), CSA C22.1 Canadian Electrical Code Part 1 and any other province, territory, local codes and/or regulations.



Scan for digital copy of this document