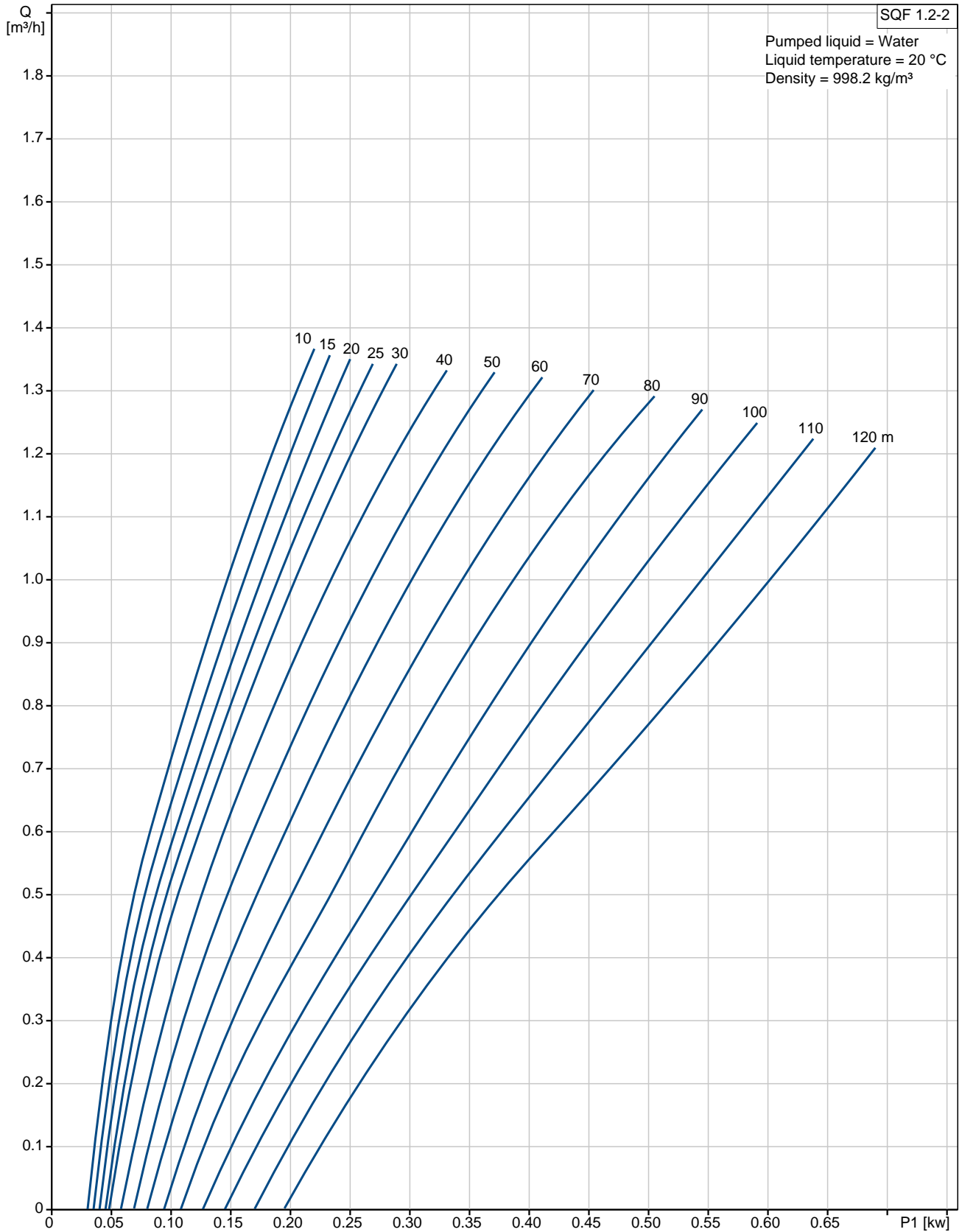




95027328 SQF 1.2-2 50 Hz



Description	Value
-------------	-------

General information:

Product name:	SQF 1.2-2
Position:	
Product No:	95027328
EAN number:	5700834791727
Price:	On request

Technical:

Approvals on motor nameplate:	CE, CTICK, TR_MARK
Pump No:	95027411
Stages:	2
Valve:	pump with built-in non-return valve

Materials:

Pump:	Stainless steel DIN W.-Nr. 1.4301 AISI 304
Impeller:	DIN W.-Nr. 1.4301
Rotor:	Stainless steel DIN W.-Nr. 1.4301 AISI 304
Stator:	Stainless steel / EPDM DIN W.-Nr. 1.4301 AISI 304

Installation:

Maximum ambient pressure:	15 bar
Pump outlet:	Rp 1 1/4
Minimum borehole diameter:	76 mm

Liquid:

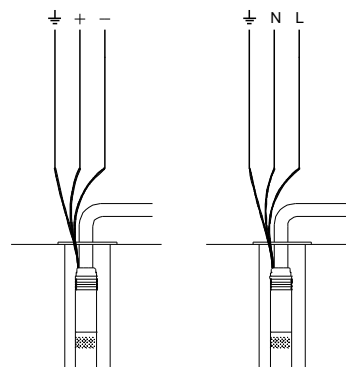
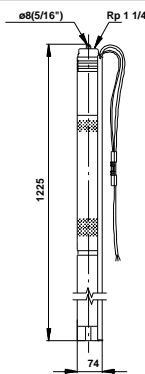
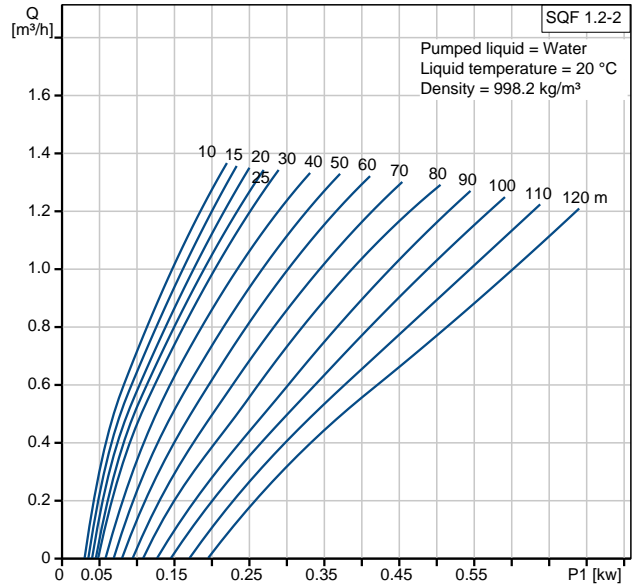
Pumped liquid:	Water
Maximum liquid temperature:	40 °C
Liquid temp:	20 °C
Density:	998.2 kg/m ³
Kinematic viscosity:	1 mm ² /s

Electrical data:

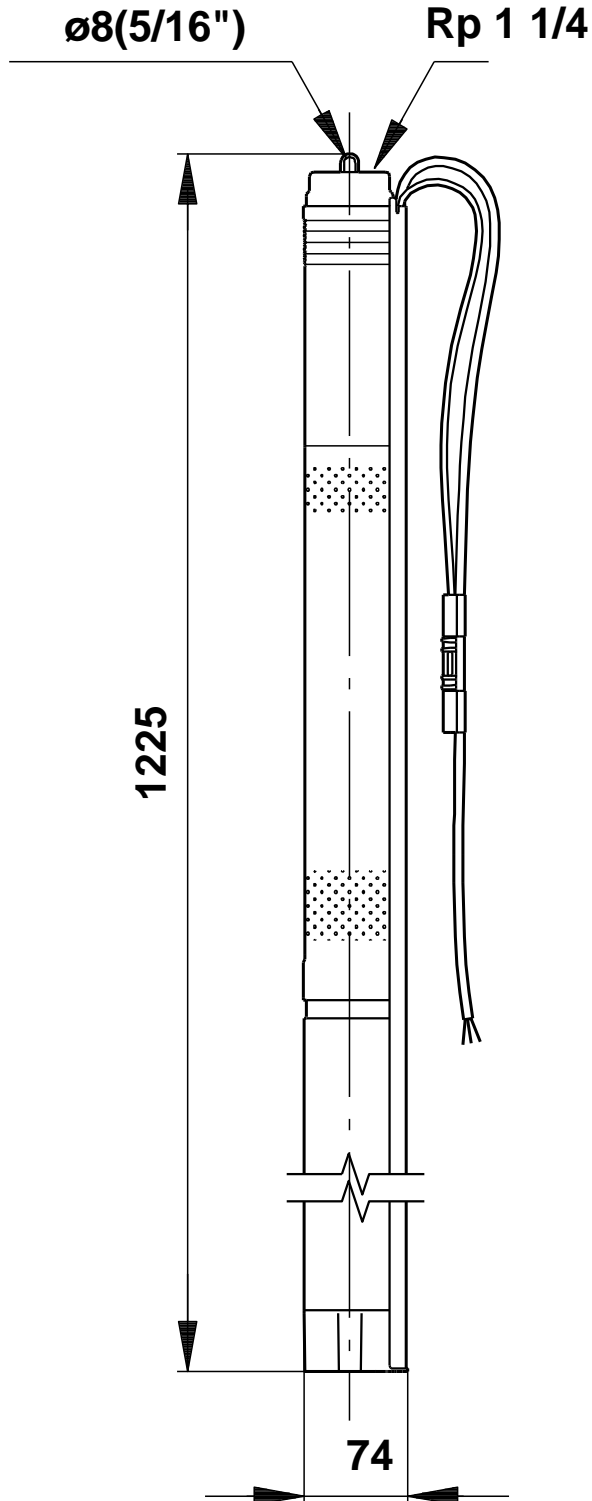
Motor type:	MSF3
Power input - P1:	1.4 kW
Rated voltage ac:	1 x 90-240 V
Rated voltage dc:	30-300 V
Start. method:	direct-on-line
Rated current:	8.4 A
Power factor:	1,0
Rated speed:	500-3600 rpm
Enclosure class (IEC 34-5):	IP68
Insulation class (IEC 85):	F
Motor protec:	Y
Thermal protec:	internal
Length of cable:	2 m
Motor No:	96275336

Others:

Minimum efficiency index, MEI :	--
Net weight:	7.9 kg
Gross weight:	9.7 kg
Shipping volume:	0.024 m ³
Sales region:	Europe/South America/Japan



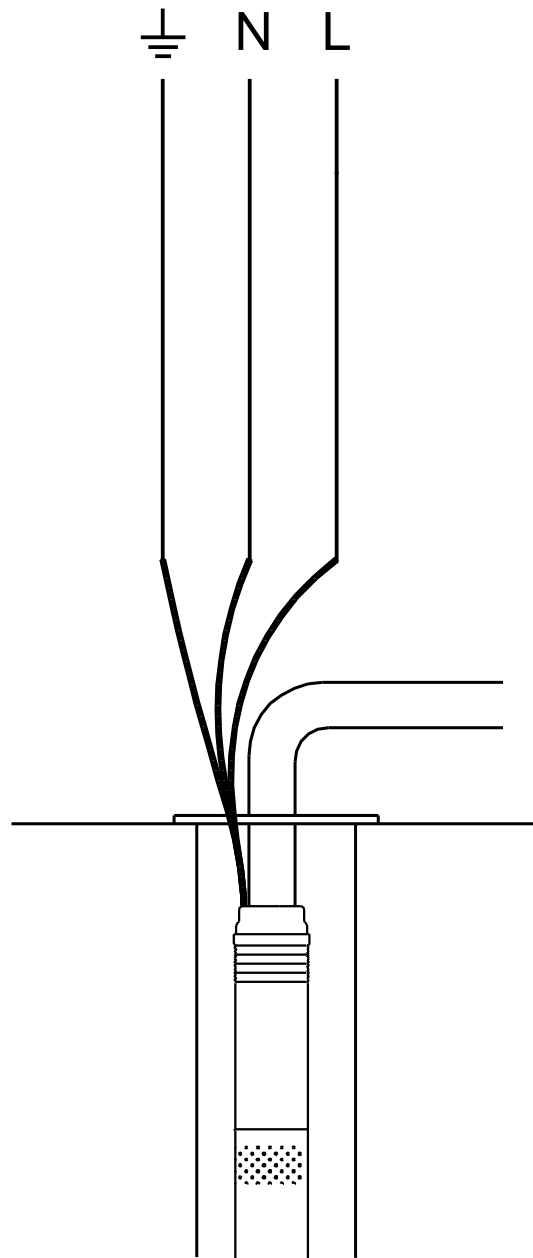
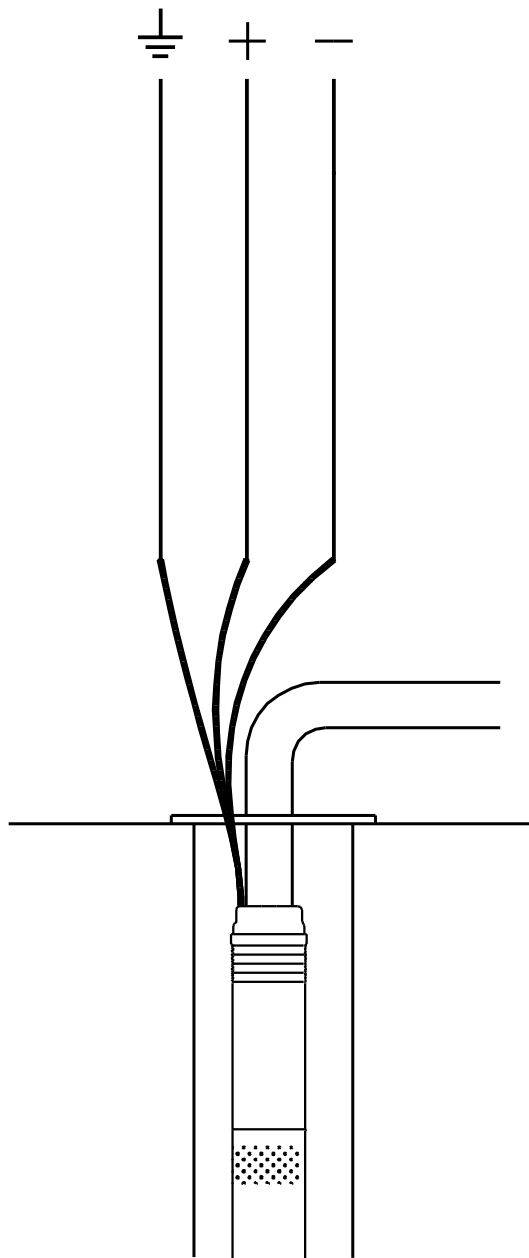
95027328 SQF 1.2-2 50 Hz



Note! All units are in [mm] unless others are stated.
Disclaimer: This simplified dimensional drawing does not show all details.



95027328 SQF 1.2-2 50 Hz



Note! All units are in [mm] unless others are stated.