

## ApolloFLEX Mono Instructions - English

### 1) Foreword

Thank you for purchasing the ApolloFLEX Mono™, a high quality solar panel designed and manufactured in Germany. Please read the following instructions carefully in order to install, use and maintain the solar panel correctly. Incorrect installation and negligent care can damage your module over time and void your warranty.

### 2) Legal Disclaimer

Euro-Line Solar does not accept any liability for damage, loss or costs incurred due to incorrect and/or nonprofessional installation and electrical connection of the solar panels. All information in this instruction manual is correct according to current knowledge at the time of publication, nevertheless Euro-Line Solar makes no legal warranty or guarantee, expressed or implied, as to the correctness of the manual. Euro-Line Solar reserves the right to change these product and product properties at any time without prior notice, as well as the content of this manual.

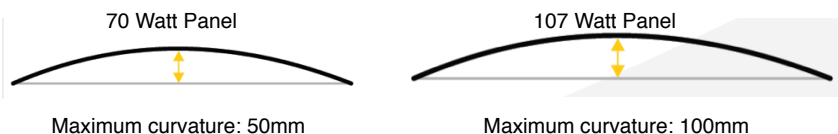
### 3) Product Description

The ApolloFLEX Mono™ is a flat and flexible solar panel designed for installation on vehicles such as cars, trucks, motorhomes, camping cars and caravans, and on boats such as motorboats, sailboats, narrowboats, yachts and other water vehicles.

Due to the high efficient and powerful mono-crystalline solar cells, the ApolloFLEX Mono is one of the most efficient flat solar panels in the world.

### 4) Important Information

- Do not attempt to open the junction box attached to the panel.
- The panels may only be mounted on smooth surfaces without any bumps, gutters, edges or some other type of raised or uneven surface.
- ApolloFLEX Mono panels are semi-flexible, not completely bendable. Over-bending the solar panel will permanently damage the panel and the photovoltaic cells, and invalidate the warranty.
- Take note that it is difficult to remove the panels once they are glued down and that damage can occur to the panels if you do so. Only a complete flat glueing of the surface is acceptable, no dots or bubbles of glue.
- When mounting the solar panel with screws, only use the pre marked screw locations in the corners to avoid compromising the panel. Do not attempt to drill holes in any other location on the solar panel.
- Solar panels generate electricity when exposed to light. To avoid shock, fire and/or injury cover the panels when handling the electrical wires.
- Only walk on a solar panel with soft soled shoes and only when the panel is mounted above a fully supported solid surface. It is not recommended to install the panel in a high traffic area.
- Remove all metallic items such as watches or jewelry when installing solar panels.
- Do not handle the output cables with bare hands when panel is out in the sun.
- These solar panels are not intended to be installed and connected to more than three units in an array. Without additional electrical protection and safety measures, do not connect more than three panels in series or parallel. This will void the warranty.
- The ApolloFLEX Mono panels are only bendable to the maximal radius as seen in the following pictures:



Any other panel other than the ones mentioned above may not be bent.

### 5) Installation / Mounting

*Choosing a mounting location:*

The solar panel will function most efficiently with the sun shining onto it at a vertical angle. Choose a location that is free from shade and directed towards the equator (south facing in the Northern Hemisphere and north facing in the Southern Hemisphere)

However such a location is rarely possible on a vehicle or boat due to movement, lack of space and location of the sun, thus a good location to mount the panel is on a flat, horizontal surface, away from objects which might cause shadows on the solar panel.

In addition, the mounting location should be done on a surface which is strong and rigid. Permanent mounting on canvas or cloth, for example, is not suitable. Damage caused to panel due to installation on non-smooth and/or non-rigid surfaces will not be covered under warranty.

The maximum bend radius of each panel is:

ApolloFLEX Mono 70W: 50mm  
ApolloFLEX Mono 107W: 100mm

Do not attempt to bend the solar panel any further. It is very possible that you may damage the solar cells or the panel and invalidate your warranty.

If using the cable roof enclosure, attempt to install it as close to the solar panel as possible to avoid loose cable.

*Preparation:*

It is important before mounting the solar panel to clean and dry the surface to remove any dirt, rust or grease. The cleaner the surface before installation, the better the adhesive will work. No special pretreatment with chemicals is needed if using Dekasy! MS-5 adhesive.

To avoid short circuits and/or injury, cover the solar panel while making electrical connections.

*Mounting ApolloFLEX Mono:*

a) Mounting with glue:

Tools needed:

Adhesive glue / sealant (if not provided in kit)  
Caulking gun  
Putty knife or spackle tool

When using glue to mount the ApolloFLEX Mono to a surface, we recommend using Dekalin Dekasy! MS-5. Apply the glue as shown in Picture (2). Then use a wide putty knife or spackle tool to spread the glue evenly across the panel. This is important to eliminate air pockets. Leave a 5cm space between the glue and the edges of the panel. Do not break the line of glue, it is also a sealant to prevent water from getting under the panel.

Once panel with glue has been placed on mounting surface, apply even downward pressure to the entire surface of the panel. Eliminate any air pockets. If glue comes out the sides of the panel, only remove it with a putty knife or similar. Do not use chemicals. Do not move or adjust the panel once it has been glued, this will

result in loss of adhesion. Allow the glue to harden for a minimum of six (6) hours before continuing with electrical connection to minimize loss of adhesion.

b) Mounting at the screw holes:

Tools needed:

- Screw driver
- Drill with drill bit
- 4x M6 Screw Bolt
- 4x M6 Nut for Screw Bolt
- 4x M6 Washers

All ApolloFLEX panels have screw hole markings where holes may be drilled through the panel. ONLY drill holes at these locations.

Due to different surfaces and roof types, there are many ways to mount using screws. The actual mounting process will depend on the application.

The best method is to use a bolt and nut with plain washers, all made of stainless steel, on the top and bottom of the solar panel. Hardware should be compatible with the solar panel and mounting surface to avoid galvanic corrosion.

Pre-drill the holes according to the screw hole markings on the panel. Make sure not to use too much pressure on the panel when drilling.

Make sure the screw hole is waterproof and insulated by inserting a sealant before the screw. Dekalin Dekasył MS-5 is recommended.

Mounting cable roof enclosure:

Tools needed:

- Screw driver
- Drill with drill bit
- Putty knife

After choosing an optimal location, sketch around the enclosure with a pencil. In the middle drill a hole large enough for the cable of the solar panel to fit through. Fit the cable through the roof enclosure and the hole.

Apply glue to the bottom of the enclosure and adhere it to the surface around the drill hole. Remove excess glue with a putty knife. Allow the glue to adhere for a minimum of six (6) hours. Do not move or adjust enclosure once glue has started to adhere.

## 6) Electrical Connection

To avoid short circuits and/or injury, cover the solar panel while making electrical connections.

All ApolloFLEX Mono solar panels must be used in conjunction with a solar charger controller. Failure to do so may result in damaging the battery. Votronic charge controllers are recommended. ApolloFLEX solar panels can also be connected to any other type of charge controller.

**Important:** Make sure the charge controller you have chosen is compatible with the type of battery which you are using.

Preparation:

Choose a mounting location for the solar charge controller. Follow the manufacturer's instructions of how to mount it. The recommended distance between solar charge controller and main battery is 1.5 meters. If you are using the battery connection cable that comes with the ApolloFLEX Mono kit, a fuse is already integrated into the cable. If not, attach a fuse to the positive (+) cable which is twice the amount of amps which are produced by the panels.

Measure the length of cable needed to connect the ApolloFLEX Mono solar panel to the charge controller. If the cable is too long, cut the cable to the appropriate length. Strip the wires and crimp an insulated ferrule each to the end of the positive and negative wires. Using a ferrule allows for a more efficient electrical connectivity than bare stranded wire.

When connecting to a 24V electrical system, you must connect two 12V panels in series. A 24V compatible solar charge controller is also required.

Example of serial connection of solar panels see Picture 3

Example of parallel connection of solar panels see Picture 4

Connection:

- Connect the solar charge controller to the main battery. Always observe correct polarity. Allow the controller to initialize and recognize the battery.
- Make sure the solar panel is covered.
- Connect the solar panel to the solar charge controller. Always observe correct polarity.

Note: Euro-Line Solar GmbH takes no responsibility for damages on the module caused by wrong installation and by not following this installation manual.

## 7) Technical Details

Element	Description
Structural Plate	1 mm strong aerospace grade fiberglass
Junction box	IP65 junction box, salt-waterproof
Cable	Single cable, two core 1 mm <sup>2</sup> diameter, UV-Resistant, 5 meter length
Solar Cells	High-Efficient Monocrystalline solar cells
Front Sheet	ETFE fluorine polymer protective front sheet, high corrosion resistant, self-cleaning, lightly structured

## 8) Maintenance and Care

ApolloFLEX Mono solar panels are designed for long product life and require no maintenance outside of cleaning. If the angle of the installation of the solar panel is more than 5 degrees, normal rainfall should be sufficient to keep the panel surface clean of dirt.

- Panels should be cleaned periodically to remove salt deposits, dirt, dust and bird droppings.
- Only water and mild nonabrasive cleaners should be used with a cloth.
- Do not use chemicals.
- Do not use sharp objects.
- Flat mounted panels may need to be cleaned more often.
- Biannual check of system wiring is recommended.

## 9) Customer Service

Should a technical problem arise, please contact the retailer from which you ordered the panel first. Most problems can be solved easily with a telephone call.

- Always contact your retailer first before returning a module or charge controller.

- Please make sure to keep the original invoice and the serial number of the product at hand.

## 10) Warranty Information

Euro-Line Solar GmbH provides the following product warranty:

10.1 The warranty period for any solar products manufactured by Euro-Line Solar GmbH is two (2) years from the time of purchase to the original user. This product warranty covers material and workmanship defects. The panels must be installed with no possibility of moving freely. It must be permanently mounted. They must also not exceed the maximum curvature allowed: 50mm for 70W panel and 100mm for 107W panel. Any damage incurred due to improper installation or handling resulting from non-compliance to the instructional manual is not covered under warranty.

10.2 Any defects within the meaning of section 10.1 must be formalized in writing and submitted to the seller within the period set forth under section 10.1. There is a statutory assumption under Article 476 of the German Civil Code (BGB) that a defect within the meaning of section 10.1 existed at the time of transfer of risk if it emerges within six months following the transfer of risk, unless this assumption cannot be applied to the module supplied by Euro-Line Solar GmbH or the nature of the defect.

The statutory guarantee rights shall apply during the statutory guarantee period (24 months). If a defect within the meaning of section 10.1 is identified within this period, defective modules will be repaired or replaced within a reasonable period of time, unless specifically agreed otherwise.

10.3 Any and all transport costs incurred during the return of panels, defect or otherwise, as well as transport of replacement or repaired panels are not covered under warranty and are the responsibility of the user. Any and all costs incurred during the removal of panels, defect or otherwise, as well as the installation of replacement or repaired panels is not covered under warranty and is the responsibility of the user.

10.4 Any and all claims not expressly granted under these special guarantee terms and conditions are excluded. This exclusion in particular applies to all compensation claims for indirect and/or consequential damage (e.g. lost feed-in compensation, interest expenses, costs for obtaining replacement electricity etc.) or for damage not caused by the modules themselves, unless the claim is based on the intentional or grossly negligent conduct of Euro-Line Solar GmbH or on injury to life, limb or health. The statutory provisions under the Product Liability Law are not affected thereby.

## 11) Performance Guarantee

Euro-Line Solar GmbH provides the following performance guarantee: 90% of the minimum performance specified for three (3) years from the time of purchase to the original user.

11.1 If the performance of a module falls below 90% of the minimum performance specified on the data sheet within the above-mentioned guarantee period, Euro-Line Solar GmbH shall, at its discretion, compensate for the shortfall in performance by supplying additional modules or by repairing or replacing the module.

A prerequisite for granting the performance guarantee is that the relevant module was used in accordance with the specifications.

11.2 Apart from the guaranteed minimum performance, the performance guarantee does not cover modules which exhibit further defects, e.g. due to external influences (including force majeure), which have been destroyed or damaged as a result of modifications or improper installation, use, operation, storage, transport or handling, or which were exposed to interference from third parties, in particular in the case of non-compliance with the installation, operation and maintenance instructions provided by Euro-Line Solar GmbH. The guarantee will be invalidated if there are signs that the serial number or the type plate have been tampered with, if they are not unambiguously identifiable for other reasons or if the module has been removed from its original installation site.

**ApolloFLEX Mono** is a trademark of Euro-Line Solar GmbH. All other trademarks are property of their respective owners.

## ApolloFLEX Mono Bedienungsanleitung - Deutsch

### 1) Vorwort

Vielen Dank, dass Sie ein ApolloFLEX Mono™ erworben haben – ein hochwertiges Solarpanel, konstruiert und hergestellt in Deutschland. Bevor Sie beginnen, lesen Sie bitte die folgenden Anweisungen sorgfältig durch, um das Solarpanel richtig zu installieren, zu benutzen und zu warten.

### 2) Haftungsausschluss

Die Euro-Line Solar GmbH übernimmt keine Haftung für Schäden, Verluste oder Mehrkosten, die durch den nicht sach- und fachgerechte Anschluss bzw. Verwendung der betreffenden solaren Leichtmodule gemäß dieser Anleitung zurückzuführen sind. Sämtliche Angaben in dieser Anleitung werden nach dem aktuellen Wissensstand als korrekt angesehen; dennoch sind damit keine direkten oder indirekten rechtlichen Zusicherungen oder Gewährleistungen verbunden. Die Euro-Line Solar GmbH behält es sich vor, Produkte und Produkteigenschaften ohne vorherige Ankündigung zu ändern, dasselbe gilt für die Inhalte dieser Anleitung.

### 3) Produktbeschreibung

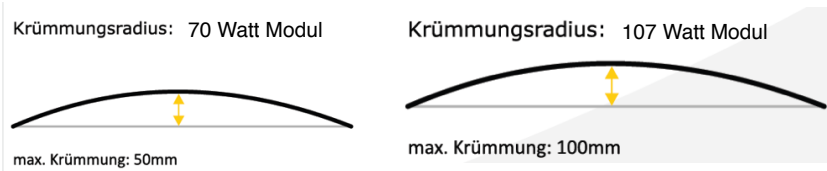
Das ApolloFLEX Mono™ ist ein flaches und leicht flexibles Solarpanel für die Installation an Fahrzeugen wie Personen- und Lastwagen, Wohnmobilen und Campingwagen sowie auf Booten wie Motor-, Segel-, und Hausbooten, Yachten und anderen Wasserfahrzeugen.

Dank der hocheffizienten und leistungsstarken monokristallinen Solarzellen ist das ApolloFLEX Mono das effizienteste Flachsolarpanel der Welt.

### 4) Wichtige Informationen

- Versuchen Sie nicht, die an dem Panel befestigte Anschlussdose zu öffnen.
- Nur vollflächiges Aufbringen auf Unterlage mit glatter Oberfläche ist erlaubt. (also, ohne Noppen, Riefen, Kanten, Erhebungen usw.).
- ApolloFLEX Mono-Panels sind semi-flexibel, aber nicht vollständig biegsam. Durch zu starkes Biegen des Solarpanels werden das Panel und die Photovoltaikzellen dauerhaft geschädigt, was zu einem Verlust des Garantieanspruchs führt. Grundsätzlich ist das Leichtmodule so zu befestigen dass es **nicht schwingen** kann!
- Verwenden Sie bei der Montage des Solarpanels mit Schrauben nur die gekennzeichneten Schraubenpositionen, um eine Beschädigung des Panels zu vermeiden. Bohren Sie keine Löcher an anderen Stellen des Solarpanels.
- Solarpanels erzeugen Strom, wenn sie Licht ausgesetzt werden. Decken Sie bei der Handhabung der elektrischen Kabel vor und während der Installation die Panels ab, um elektrische Schläge, Feuer und/oder Verletzungen zu vermeiden.
- Begehen Sie das Solarpanel nur mit Schuhen mit weichen Sohlen und nur, wenn das Panel auf einer festen Oberfläche vollständig abgestützt ist. Installieren Sie das Panel möglichst nicht in stark frequentierten Verkehrsbereichen.
- Tragen Sie bei der Montage von Solarpanels keine metallischen Gegenstände wie Uhren oder Schmuck.
- Berühren Sie die Anschlusskabel nicht mit bloßen Händen, wenn das Panel der Sonne ausgesetzt ist.
- **Diese Module sind nicht dafür vorgesehen, mehr als 3 Module zusammenzuschalten und damit eine größere Generatoranlage zu betreiben. Ohne zusätzliche elektrische Sicherheitsmaßnahmen dürfen nicht mehr als 3 Leichtmodule in Reihe oder Parallel geschaltet werden.**

- Die Module können aufgeklebt werden - bitte bedenken Sie aber, dass sich einmal aufgeklebte Module nur sehr schwer wieder entfernen lassen und bei diesem Versuch das Modul Schaden nehmen könnte. Nur vollflächiges Aufbringen auf Unterlage mit glatter Oberfläche ist erlaubt (ohne Noppen)
- Die ApolloFLEX Mono panels sind nur soweit biegsam wie in den folgenden Bildern festgelegt.



Andere, als oben genannte Leichtmodul-Varianten dürfen nicht gebogen werden.

## 5) Installation/Montage

Die Installation von Solarmodulen ist eine Aufgabe, die ein hohes Maß an Erfahrung und Sachkenntnis erfordert und **nur von Fachpersonal** auszuführen. Deshalb gilt: Bitte lesen Sie diese Anweisungen durch, bevor Sie Leichtmodule installieren oder in Betrieb nehmen. Die Montage und Verkabelung muss durch Fachpersonal durchgeführt oder überwacht werden. Hier ist besondere Vorsicht geboten. Treffen Sie ausreichende Maßnahmen zum Schutz vor elektrischen Schlägen und Verletzungen.

### Auswahl eines Montageorts:

Das Solarpanel funktioniert am effizientesten, wenn die Sonne in einem vertikalen Winkel darauf scheint. Wählen Sie einen verschattungsfreien und auf den Äquator ausgerichteten Ort (Richtung Süden auf der Nordhalbkugel, Richtung Norden auf der Südhalbkugel).

Da auf einem Fahrzeug oder Boot ein solcher Ort durch die Bewegung, fehlenden Platz oder die Position der Sonne sehr selten ist, ist ein Ort auf einer flachen, horizontalen Fläche, auf der keine Schatten durch Objekte entstehen können, eine gute Alternative.

Außerdem sollte das Solarpanel auf einer festen und harten Oberfläche montiert werden. Die Montagefläche sollte keine Dellen oder Löcher aufweisen, durch die sich das Panel nach der Montage nach innen verbiegen kann. In diesem Fall geht Ihr Garantieanspruch verloren. Eine dauerhafte Montage beispielsweise auf Segeltuch oder Stoff ist ebenfalls nicht geeignet.

Der maximale Biegeradius eines Panels beträgt:

ApolloFLEX Mono 70 W: 50 mm  
 ApolloFLEX Mono 107 W: 100 mm

Versuchen Sie nicht, das Solarpanel stärker zu biegen. Dadurch beschädigen Sie sehr wahrscheinlich die Solarzellen oder das Panel und verlieren Ihren Garantieanspruch.

Wenn Sie die Dachkabelabdeckung verwenden, versuchen Sie, diese so nahe wie möglich an dem Solarpanel zu montieren, um lose Kabel zu vermeiden.

### Vorbereitung:

Vor der Montage des Solarpanels muss die Montagefläche unbedingt von Schmutz, Rost und Fett gereinigt werden. Je gründlicher die Oberfläche vor der Installation gereinigt wird, desto besser haftet der Klebstoff. Es sind keine besonderen Vorbehandlungen mit Chemikalien erforderlich, wenn der Klebstoff Dekasyll MS-5 verwendet wird.

Decken Sie das Solarpanel bei der Herstellung der elektrischen Anschlüsse zur Vermeidung von Kurzschlüssen und/oder Verletzungen ab!

### Montage des ApolloFLEX Mono:

a) Montage mit Klebstoff:

Benötigte Werkzeuge:

- Klebstoff / Dichtmittel (sofern nicht im Lieferumfang enthalten)
- Dichtmittelpistole
- Spachtel

Für die Montage des ApolloFLEX Mono mit Klebstoff auf eine Fläche empfehlen wir die Verwendung von Dekalin Dekasyll MS-5. Tragen Sie den Klebstoff wie in Abbildung (2) gezeigt auf. Nehmen Sie dann ein Spachtel und verbreiten Sie den Klebstoff gleichmäßig über das Panel. Das ist wichtig damit keine Luftblasen unter das Panel entstehen. Lassen Sie eine Fläche von 5 cm Breite zwischen dem Klebstoff und den Panelkanten frei. Unterbrechen Sie nicht den Klebefilm, da er auch als Dichtmittel fungiert, damit kein Wasser unter das Panel gelangt.

Sobald Sie das Panel mit dem Klebstoff auf der Montagefläche platziert haben, befestigen Sie es mit gleichmäßigem Druck auf die gesamte Panelfläche. Achten Sie auf Luftblasen. Entfernen Sie an den Panelseiten austretenden Klebstoff nur mit einem Spachtel o. ä. Verwenden Sie keine Chemikalien. Nach dem Ankleben darf das Panel nicht mehr bewegt oder ausgerichtet werden, da sonst die Haftung nachlässt. Lassen Sie den Klebstoff vor dem Herstellen der elektrischen Anschlüsse mindestens sechs (6) Stunden aushärten, um die Haftung nicht zu minimieren.

b) Montage mit Schrauben:

Benötigte Werkzeuge:

- Schraubendreher
- Bohrmaschine mit Bohrer
- 4 x M6-Schrauben
- 4 x M6-Muttern für Schrauben
- 4 x M6-Unterlegscheiben

Alle ApolloFLEX-Panels besitzen Schraubenlöcher, durch die Löcher in die Montagefläche gebohrt werden können. Bohren Sie NUR an diesen Stellen Löchern.

Aufgrund der Unterschiede bei Oberflächen und Dachtypen gibt es auch verschiedene Möglichkeiten der Befestigung mit Schrauben. Das betreffende Montageverfahren hängt von der Anwendung ab. Die beste Befestigungsart ist die Montage mit Schrauben, Muttern und Unterlegscheiben aus Edelstahl an Ober- und Unterkante des Solarpanels. Das Material sollte zu Solarpanel und Montagefläche kompatibel sein, um Kontaktkorrosion zu vermeiden.

Bohren Sie die Löcher entsprechend den Positionen der Löcher im Panel vor. Üben Sie beim Bohren nicht zu viel Druck auf das Panel aus. Achten Sie darauf, dass jedes Bohrloch vor dem Einsetzen der Schraube durch Zugabe von etwas Dichtmittel in das Loch wasserfest gemacht und abgedichtet wird. Wir empfehlen Dekalin Dekasyll MS-5.

### Montage der Dachkabelabdeckung:

Benötigte Werkzeuge:

- Schraubendreher

Bohrmaschine mit Bohrer  
Spachtel

Zeichnen Sie nach der Auswahl des optimalen Montageorts die Umriss mit einem Stift nach. Bohren Sie in der Mitte ein Loch, das groß genug ist, um das Kabel des Solarpanels hindurchzuführen. Ziehen Sie das Kabel durch die Dachkabelabdeckung und das Loch. Ziehen Sie die Schraube auf der Dachkabelabdeckung fest, um die Kabelöffnung abzudichten. Tragen Sie Klebstoff auf den Boden der Abdeckung auf und kleben Sie die Abdeckung auf die Fläche um das Bohrloch. Entfernen Sie austretenden Klebstoff mit einem Spachtel. Lassen Sie den Klebstoff mindestens sechs (6) Stunden aushärten. Bewegen oder justieren Sie die Abdeckung nicht, sobald der Klebstoff haftet.

## 6) Elektrischer Anschluss

Decken Sie das Solarpanel bei der Herstellung der elektrischen Anschlüsse zur Vermeidung von Kurzschlüssen und/oder Verletzungen ab!

Alle ApolloFLEX Mono-Solarpanels dürfen nur mit einem Solar-Laderegler betrieben werden. Die Nichtbeachtung kann zur Zerstörung der Batterie führen. Es werden Votronic-Laderegler empfohlen. ApolloFLEX-Solarpanels können auch an alle anderen Ladereglerarten angeschlossen werden.

**Wichtig:** Achten Sie darauf, dass der von Ihnen gewählte Laderegler zu dem von Ihnen verwendeten Batterietyp passt.

*Vorbereitung:*

Wählen Sie einen Montageort für den Solar-Laderegler. Befolgen Sie die Montageanweisung des Herstellers. Der empfohlene Abstand zwischen Solar-Laderegler und Hauptbatterie beträgt 1,5 Meter. Wenn Sie das Batterieanschlusskabel aus dem Kit des ApolloFLEX Mono verwenden, ist eine Sicherung bereits in das Kabel integriert. Falls nicht, befestigen Sie eine Sicherung am positiven (+) Kabel, deren Wert der doppelten von den Panels erzeugten Amperzahl entspricht.

Messen Sie die Länge des für den Anschluss des ApolloFLEX Mono-Solarpanels an den Laderegler benötigten Kabels. Ist das Kabel zu lang, schneiden Sie es auf die passende Länge zu. Manteln Sie die Drähte ab und pressen Sie mit einer Crimpzange eine isolierte Aderendhülse an jedes Ende der positiven und negativen Adern. Durch die Verwendung von Aderendhülsen wird eine bessere elektrische Verbindung als bei blanken Drähten erreicht.

Beim Anschluss an ein 24-V-Stromsystem müssen Sie zwei 12-V-Panels in Serie anschließen, wenn Sie kein 24-V-Solarpanel erworben haben. Es ist auch ein 24-V-kompatibler Solar-Laderegler erforderlich.

Ein Beispiel für den seriellen Anschluss von Solarpanels zeigt Abbildung 3.

Ein Beispiel für den parallelen Anschluss von Solarpanels zeigt Abbildung 4.

*Anschluss:*

- Schließen Sie den Solar-Laderegler an die Hauptbatterie an. Achten Sie immer auf die korrekte Polarität. Lassen Sie den Laderegler sich initialisieren und die Batterie erkennen.
- Achten Sie darauf, dass das Solarpanel abgedeckt ist.
- Schließen Sie das Solarpanel an den Solar-Laderegler an. Achten Sie immer auf die korrekte Polarität.

**Hinweis:** Euro-Line Solar GmbH haftet nicht für Schäden an dem Modul durch fehlerhafte Installation und Nichtbeachten der Anweisungen in diesem Installationshandbuch.

## 7) Technische Daten

Bauteil	Beschreibung
Trägerplatte	1 mm dicke Glasfaser Luftfahrtqualität
Anschlussdose	verschraubte Anschlussdose (IP65, salzwasserfest)
Kabel	Einzelkabel, 2 x 1 mm Querdurchschnitt , UV-beständig, Länge 5 Meter
Solarzellen	Hocheffizienz Monokristalline Solarzellen
Frontscheibe	Schutzscheibe aus ETFE-Fluorpolymer, hoch korrosionsbeständig, selbstreinigend, leicht strukturiert

## 8) Wartung und Pflege

ApolloFLEX Mono-Solarpanels sind auf ein langes Produktleben ausgelegt und erfordern keine Wartung außer der Reinigung. Beträgt der Installationswinkel des Solarpanels mehr als 5 Grad, reicht normaler Regen zur Reinigung der Paneloberfläche von Schmutz aus.

- Panels sollten regelmäßig gereinigt werden, um Salzablagerungen, Schmutz, Staub und Vogelkot zu entfernen.
- Verwenden Sie nur einen Lappen und Wasser mit einem milden, nichtabrasiven Reiniger.
- Verwenden Sie keine Chemikalien.
- Verwenden Sie keine scharfen Gegenstände.
- Flach montierte Panels müssen öfter gereinigt werden.
- Es wird eine jährliche Überprüfung der Verkabelung empfohlen.

## 9) Kundendienst

Bei technischen Problemen wenden Sie sich bitte an Ihren Händler, bei dem Sie das Panel ursprünglich bestellt haben. Die meisten Probleme lassen sich telefonisch lösen.

Wenden Sie sich immer zuerst an Ihren Händler, bevor Sie ein Modul oder einen Laderegler einschicken.

Bitte halten Sie die Originalrechnung und die Seriennummer des Produkts bereit.

## 10) Gewährleistung

Euro-Line Solar GmbH bietet folgende Produktgewährleistung:

10.1 Für die Dauer von 2 Jahren gewährleistet die Euro-Line Solar GmbH ab Werkslieferdatum, dass die Sonder- und Leichtmodule frei von Material- und Verarbeitungsfehlern sind, die Einfluss auf die Funktionsfähigkeit des Produktes haben.

10.2 Die Leichtmodule auf Glasfaserbasis müssen so montiert werden, dass ein Schwingen ausgeschlossen ist. Sie dürfen nur maximal so gekrümmt werden wie im Datenblatt und Spezifikation festgelegt. Ausgeschlossen wird weiterhin Ersatz für Schäden die in Folge unsachgemäßer Behandlung und Installation durch Nichtbeachtung dieser Bedienungsanleitung entstanden sind.

10.3 Alle Mängel im Sinne von Abschnitt 10.1 müssen dem Verkäufer innerhalb der in Abschnitt 10.1 genannten Frist schriftlich mitgeteilt werden. Gemäß § 476 des Bürgerlichen Gesetzbuches (BGB) wird vermutet, dass ein Mangel im Sinne von Abschnitt 10.1 bereits zum Zeitpunkt des Gefahrübergangs

vorhanden war, wenn sich dieser Sachmangel innerhalb von sechs Monaten nach dem Gefahrübergang zeigt, es sei denn, diese Vermutung ist mit der Art des von der Euro-Line Solar GmbH gelieferten Moduls oder der Art des Mangels unvereinbar.

Während der gesetzlichen Gewährleistungsfrist (24 Monate) gelten die gesetzlichen Gewährleistungsansprüche. Wird innerhalb dieser Frist ein Mangel im Sinne von Abschnitt 10.1 festgestellt, werden mangelhafte Module innerhalb einer angemessenen Frist repariert oder ausgetauscht, sofern nichts anderes vereinbart wurde.

10.4 Transportkosten für die Rücksendung der Module oder für die erneute Lieferung reparierter oder ersetzter Module umfasst die Produktgewährleistung nicht, ebenso nicht die Kosten der de-Installation oder Wieder-Installation von Modulen, sowie sonstige Aufwendungen.

10.5 Alle weitergehenden Ansprüche, die nicht ausdrücklich in diesen besonderen Garantiebedingungen genannt werden, sind ausgeschlossen. Diese Haftungsbeschränkung gilt insbesondere für alle Ansprüche auf Ersatz von mittelbaren und/oder Folgeschäden (z. B. entgangene Einspeisevergütung, Zinsaufwendungen, Kosten für Ersatzstrombeschaffung usw.) oder von Schäden, deren Ursache nicht die Module selbst sind, es sei denn, der Anspruch ist durch vorsätzlich oder grob fahrlässiges Verhalten der Euro-Line Solar GmbH oder durch Verletzung von Leben, Körper oder Gesundheit begründet. Die gesetzlichen Bestimmungen des Produkthaftungsrechts bleiben hiervon unberührt.

## 11) Leistungsgarantie

11.1 Jeweils beginnend mit dem Versanddatum ab Werk übernimmt die Euro-Line Solar GmbH zusätzlich zur unter Ziffer 1 vereinbarten Produktgewährleistung folgende zusätzlichen Leistungsgarantien:  
Für Sonder- und Leichtmodule von Euro-Line Solar GmbH gilt eine 3-Jahres-Garantie der Modulleistung von mindestens 90% der im Datenblatt ausgewiesenen Minimalleistung.

11.2 Die Euro-Line Solar GmbH wird, wenn die Leistung des Moduls innerhalb der vorgenannten Garantiezeit 90% der im Datenblatt ausgewiesenen Minimalleistung unterschreitet, nach eigener Wahl die fehlende Leistung entweder durch Lieferung zusätzlicher Module ersetzen oder durch Reparatur oder Ersatz des Moduls oder durch eine Zahlung ausgleichen. Diese Ausgleichszahlung errechnet sich durch den anteiligen Kaufpreis des Moduls unter Berücksichtigung einer linearen Abschreibung für jedes Jahr nach dem Kauf bis zur Geltendmachung des Garantiefalls.  
Für derartige Ersatz- oder Zusatzmodule erstreckt sich die Leistungsgarantie nur auf die noch verbleibende Garantiezeit der ursprünglich gelieferten Module. Sofern der ursprünglich gelieferte Modultyp nicht oder nicht mehr serienmäßig hergestellt wird, werden als Ersatz- oder Zusatzmodule die jeweils aktuellen Standardtypen geliefert.

Die Gewährung von Garantieleistungen setzt voraus, dass das betroffene Modul ordnungsgemäß eingesetzt wurde.

11.3 Abgesehen von der garantierten Mindestleistung erstreckt sich die Leistungsgarantie nicht auf Module, die weitere Mängel aufweisen, z.B. durch äußere Einwirkungen (inklusive höherer Gewalt), die durch Veränderungen oder unsachgemäße Installation, Anwendung, Betrieb, Lagerung, Transport oder Handhabung zerstört oder beschädigt wurden oder Eingriffen Dritter ausgesetzt waren, insbesondere bei Nichtbeachtung der Installations-, Betriebs- und Wartungshinweise von Euro-Line Solar GmbH.  
Wenn Seriennummer oder Typenschild Manipulationen ausgesetzt waren oder aus sonstigen Gründen nicht eindeutig identifizierbar sind oder das Modul vom ursprünglichen Einbauport entfernt wurde erlischt die Leistungsgarantie.

Das Aussehen des Moduls sowie auftretende Kratzer, Flecken, mechanische Abnutzung, Rost, Schimmel, optische Beeinträchtigung, Verfärbung und andere Veränderungen, die nach der Lieferung durch die Euro-Line Solar GmbH aufgetreten sind, stellen keinen Mangel dar, soweit die Veränderung des Aussehens nicht zu einer Beeinträchtigung der Stromerzeugungsleistung führt.

11.4 Durch diese Leistungszusage werden weitergehende Ansprüche gegen die Euro-Line Solar GmbH als die unter 11.2 genannten nicht begründet. Die Euro-Line Solar GmbH haftet nur gemäß 11.2. Ausgeschlossen sind weitergehende Ansprüche, jedoch ist damit eine Haftung nach dem Produkthaftungsgesetz nicht ausgeschlossen. Eine Haftung der Euro-Line Solar GmbH wegen grob fahrlässig oder vorsätzlich verursachter Schäden bleibt von dem Haftungsausschluss unberührt ebenso wie von der Euro-Line Solar GmbH verursachte Schäden an Leben, Körper und Gesundheit.

11.5 Transportkosten für die Rücksendung der Module oder für die erneute Lieferung reparierter oder ersetzter Module umfasst die Leistungsgarantie nicht, ebenso nicht die Kosten der Installation oder Wieder-Installation von Modulen, sowie sonstige Aufwendungen.

11.6 Der Gesamthaftungsumfang der Euro-Line Solar GmbH ist begrenzt auf den Kaufpreis des fehlerhaften Produktes außer in den Fällen der von der Euro-Line Solar GmbH verursachten Schäden an Leben, Körper und Gesundheit.

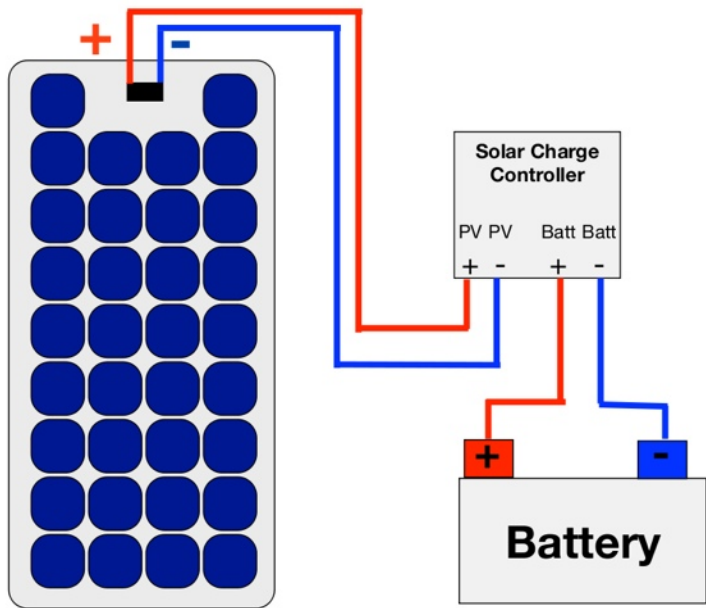
### 11.7. Geltendmachung von Rechten

Die hier genannten Rechte können nur durch Vorlage des Original-Lieferscheines bzw. -Rechnung und -Garantiekarte mit Unterschrift geltend gemacht werden. Die Geltendmachung erfolgt gegenüber dem jeweiligen Verkäufer. Im Fall der Geltendmachung der Leistungsgarantie wird die Modulleistung unter Standard-Testbedingungen gemessen (25°C Zelltemperatur, Einstrahlung 1.000 W/m<sup>2</sup> und Spektrum AM 1,5).

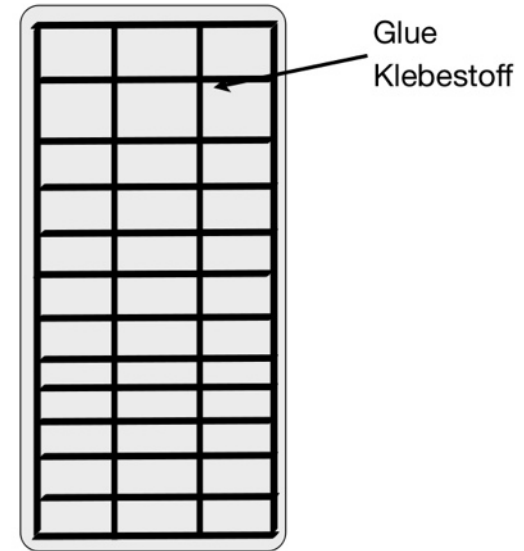
11.8 Garantiegeberin ist die Euro-Line Solar GmbH, Berliner Str. 1 13187 Berlin.

11.9. Ohne die Weiterverweisungsregeln seines internationalen Privatrechts findet auf diese besonderen Gewährleistungsbedingungen ausschließlich deutsches Recht Anwendung.

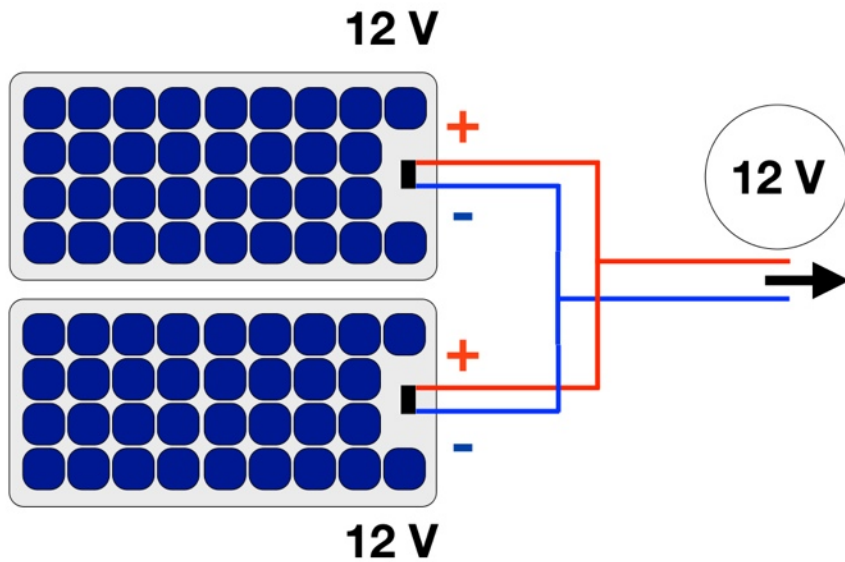
ApolloFLEX Mono ist eine Marke der Euro-Line Solar GmbH. Alle anderen Marken sind Eigentum der jeweiligen Inhaber.



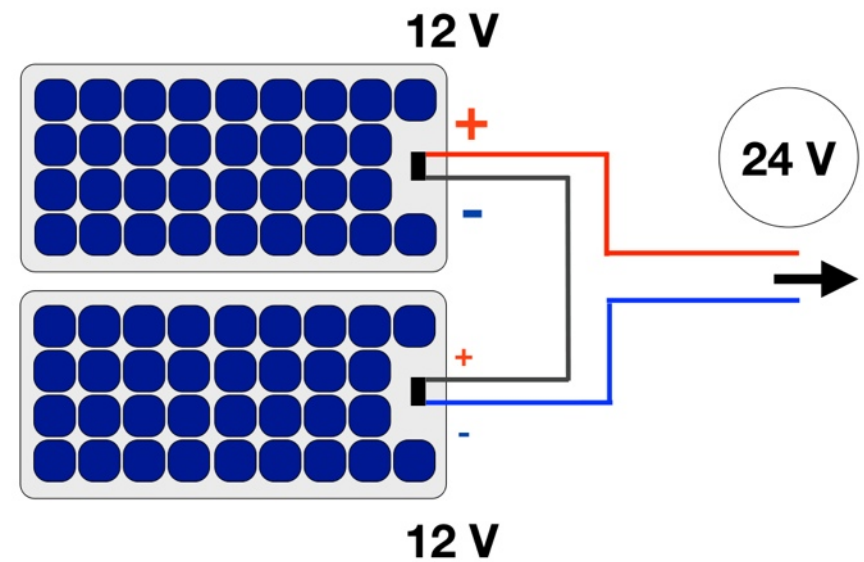
Picture 1 / Bild 1



Picture 2 / Bild 2



Picture 3 / Bild 3



Picture 4 / Bild 4