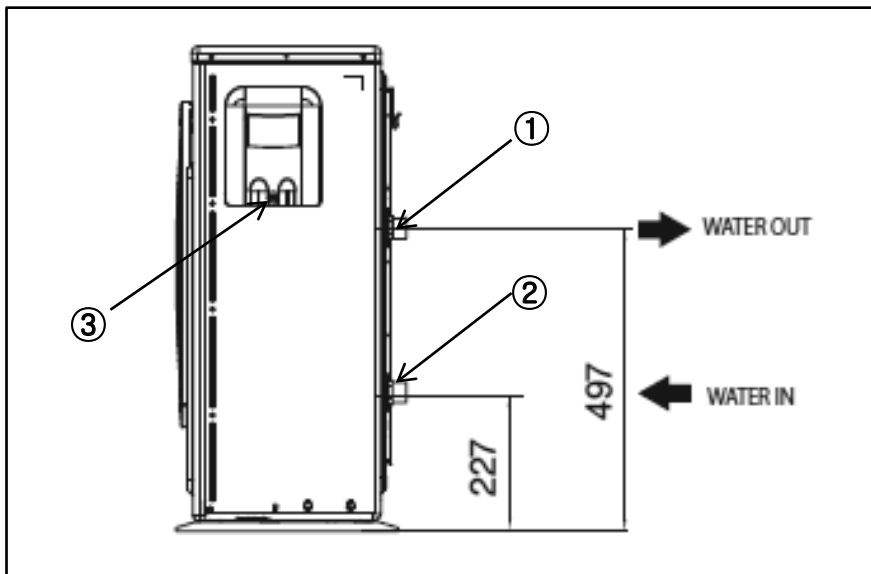
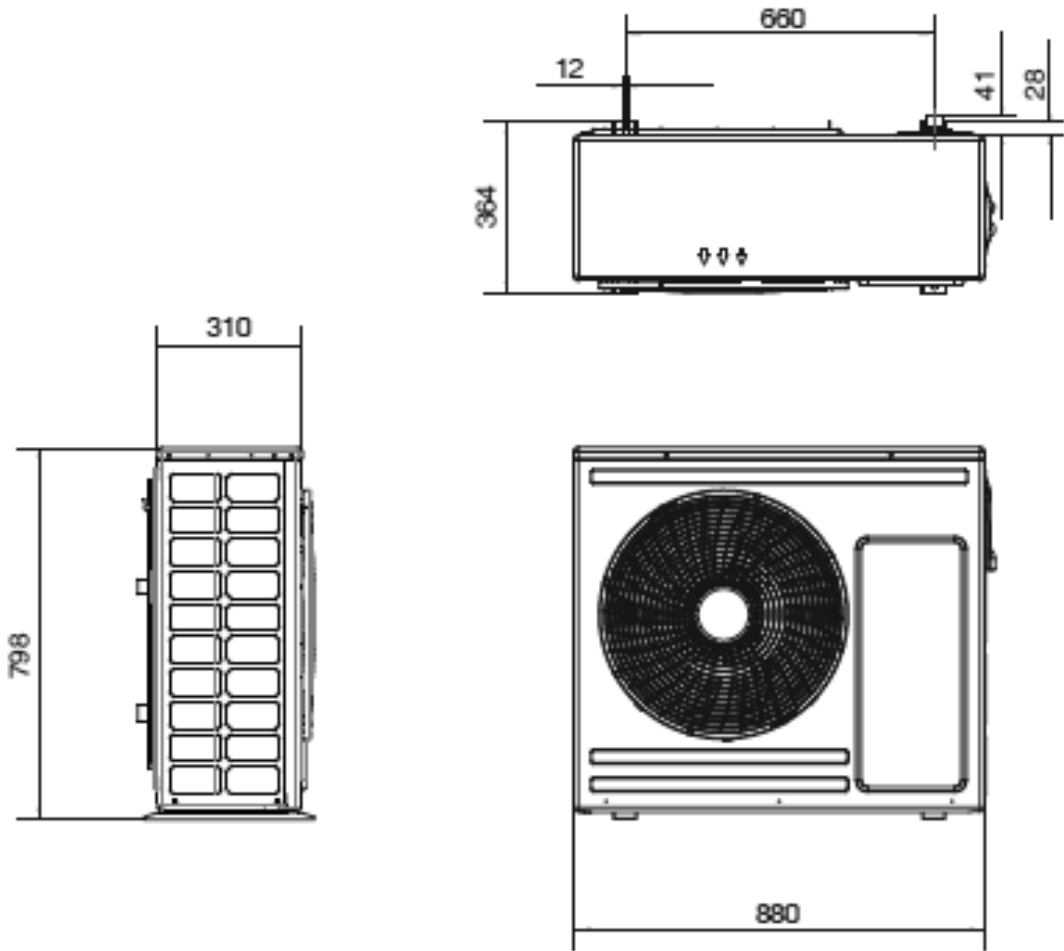


### 3. Dimensional Drawings

#### 3-1. Outdoor Unit

##### 1) AE050JXYD\*H/EU

(Unit : mm)



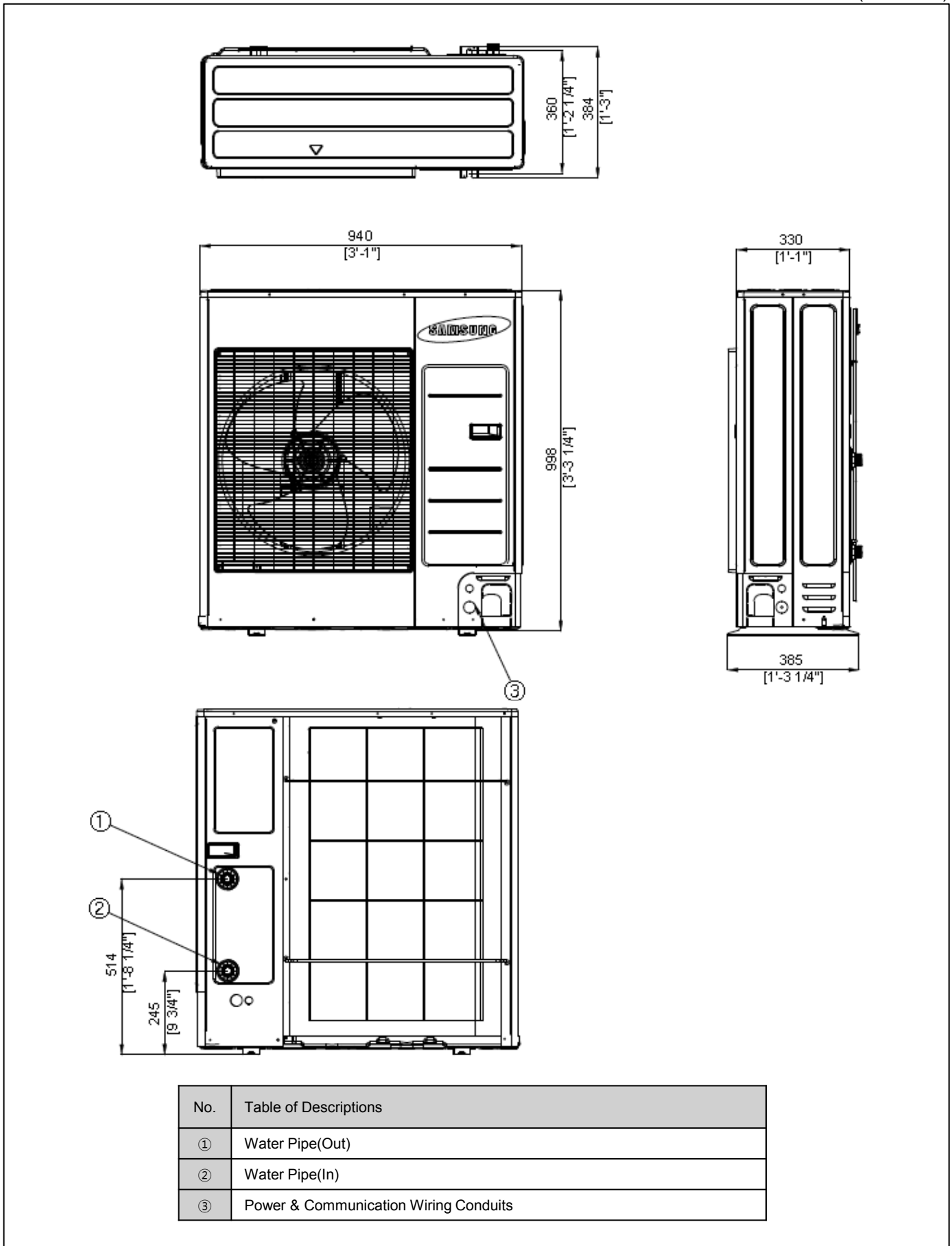
No.	Table of Descriptions
①	Water Pipe(Out)
②	Water Pipe(In)
③	Power & Communication Wiring Conduits

### 3. Dimensional Drawings

#### 3-1. Outdoor Unit

##### 2) AE090JXYD\*H/EU

(Unit : mm)

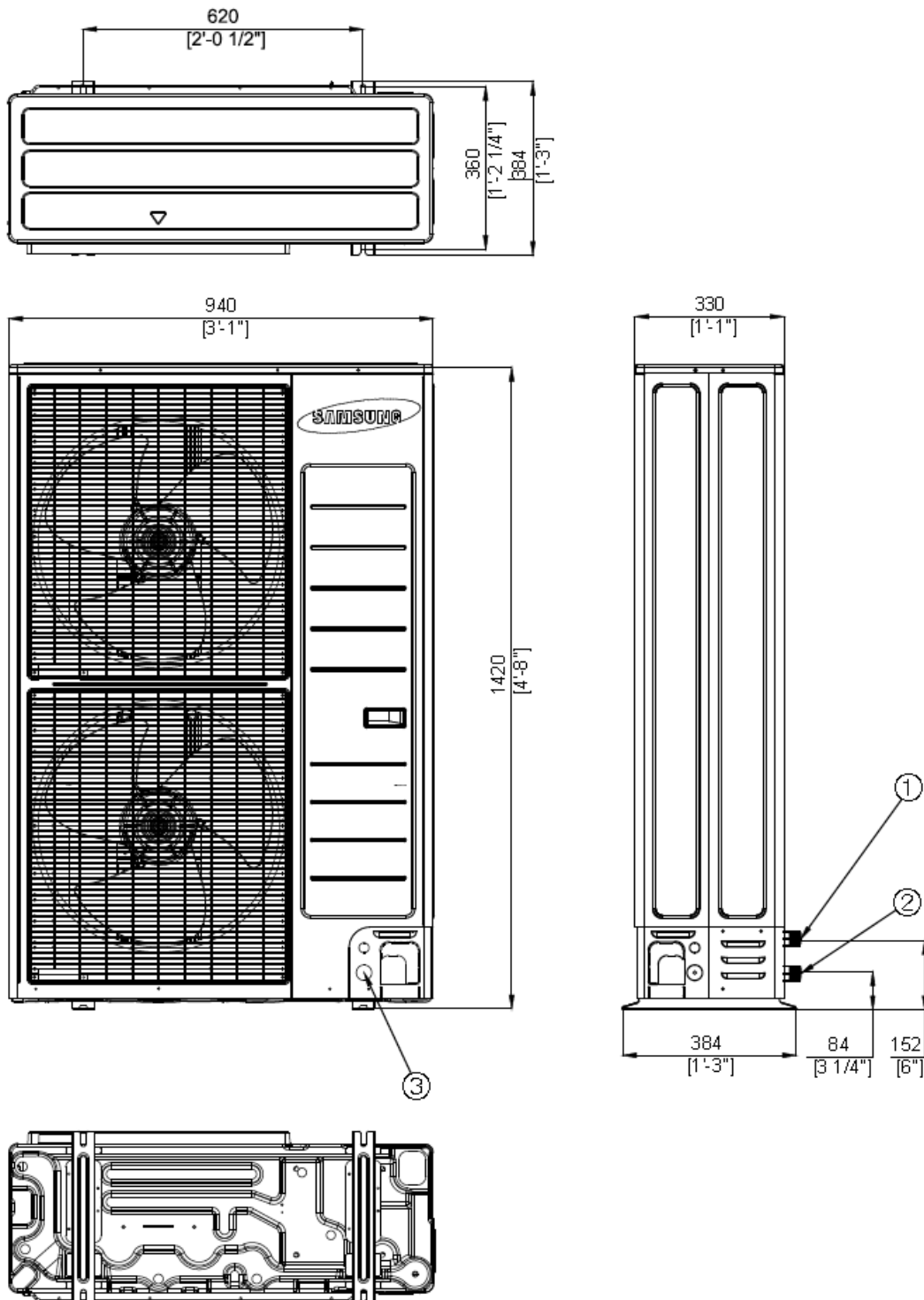


### 3. Dimensional Drawings

#### 3-1. Outdoor Unit

##### 3) AE120/140/160JXYD\*H/EU

(Unit : mm)



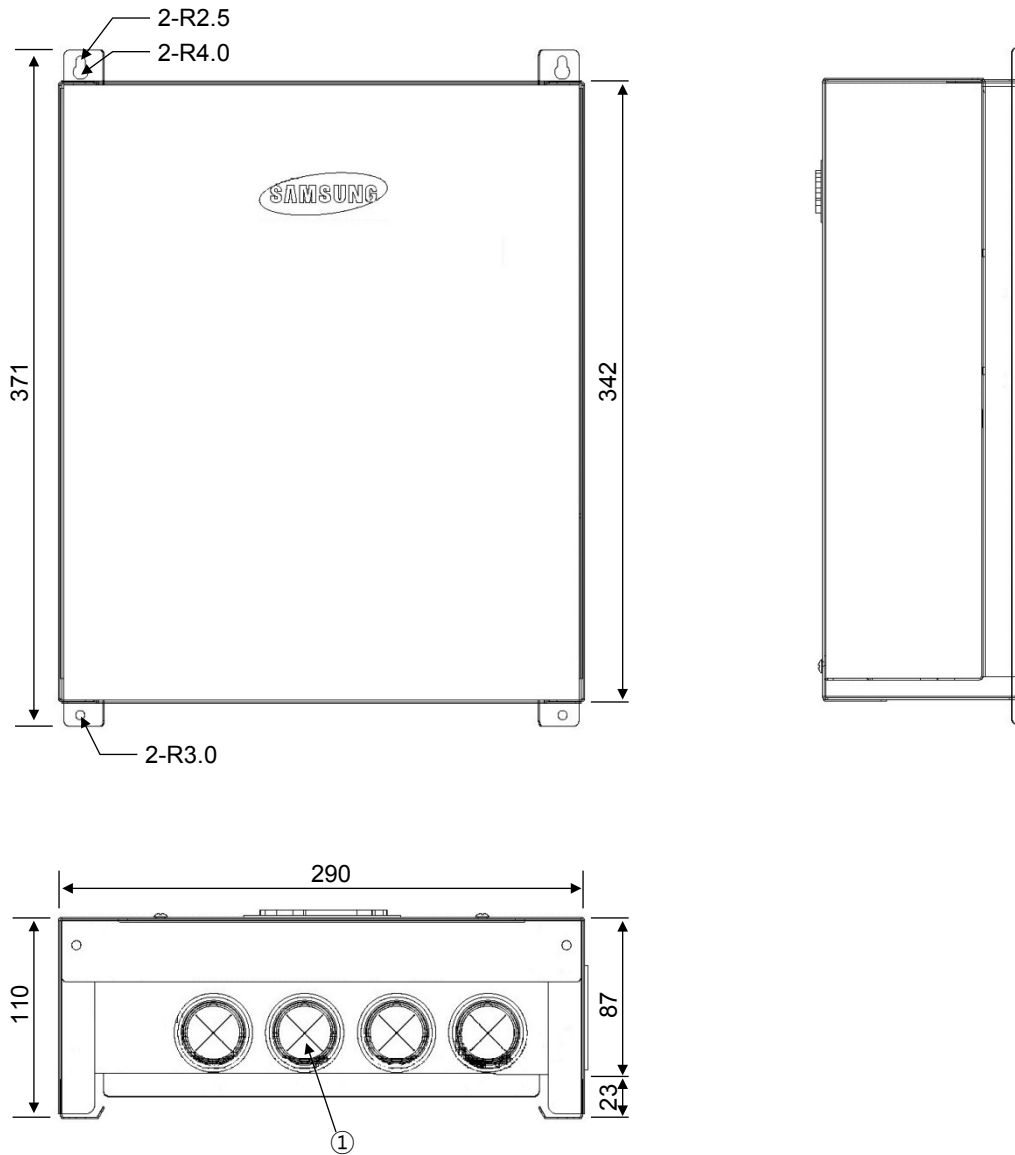
No.	Table of Descriptions
①	Water Pipe(Out)
②	Water Pipe(In)
③	Power & Communication Wiring Conduits

### 3. Dimensional Drawings

#### 3-2. Control Kit

##### 1) MIM-E03A(B)N

(Unit : mm)



No.	Table of Descriptions
①	Conduit for Wiring (Rubber)