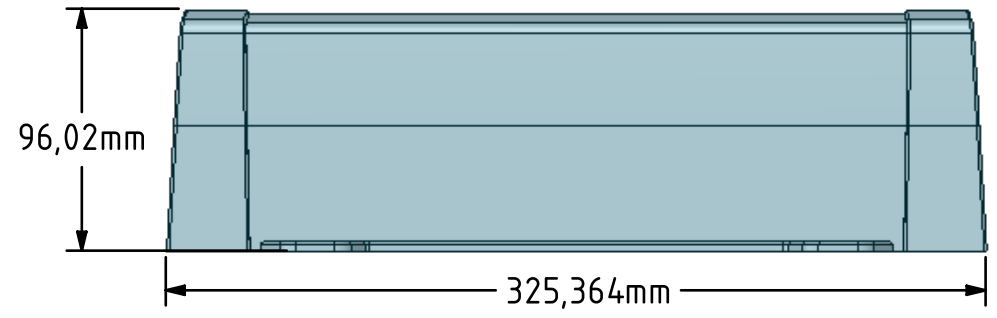
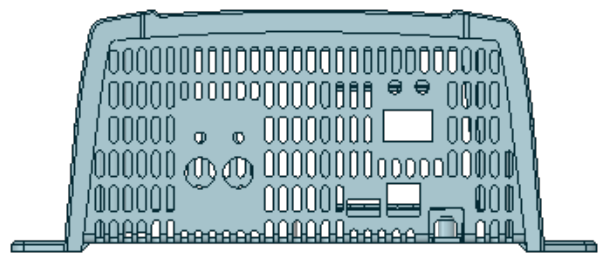
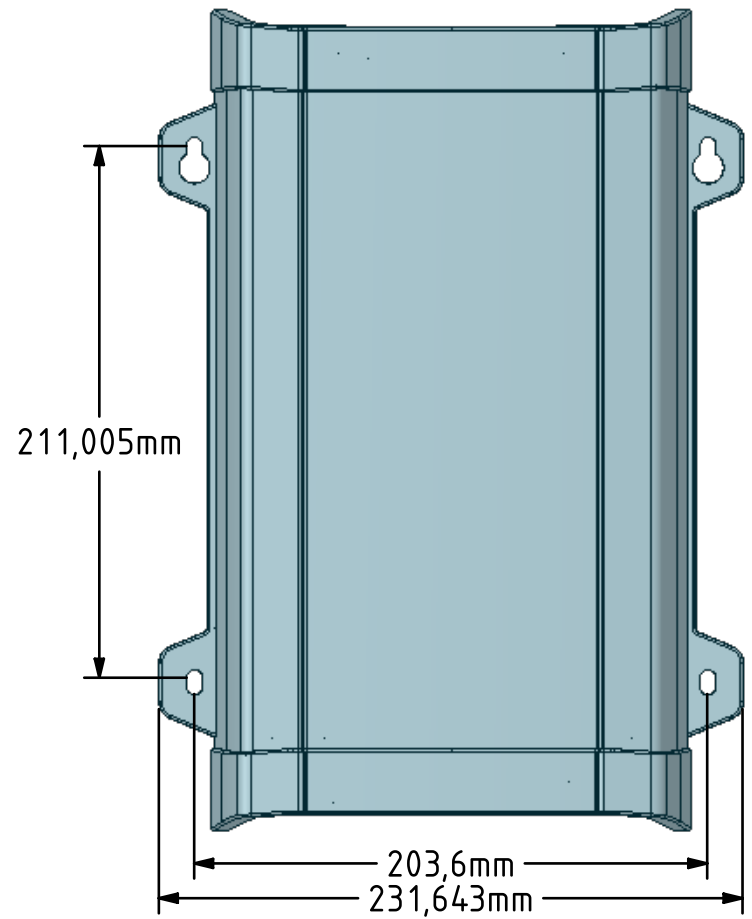




REVISION HISTORY

REV	DESCRIPTION	INCRP BY	DATE	CHECKED
-----	-------------	----------	------	---------

NOTES:



QTY REQD	ITEM NO.	PART OR IDENTIFYING NO.	NOMENCLATURE OR DESCRIPTION
----------	----------	-------------------------	-----------------------------

PARTS LIST

INIT	APPROVALS	DATE	INIT	APPROVALS	DATE				
						TITLE			
						SIZE	CAGE CODE	DWG NO.	REV
						B			
						SCALE		SHEET	

CONTRACT NO.	MATERIAL	
	FINISH	
	TREATMENT	
NEXT ASSY	USED ON	SIMILAR TO
APPLICATION		

