



product guarantee¹



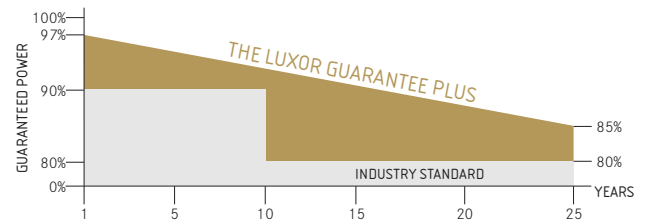
linear performance guarantee¹



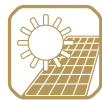
ECO LINE

M60/ 275 - 295 W

Monocrystalline module family



Longlife tested



Power proofed



Safety provided



Selection of components



Cross-linking degree test



Performance surplus of 0Wp to 6.49 Wp



Imp sorting



Special packing to avoid micro cracks in the cells



German warrantor

The 60-cell module is the large-size all-rounder among the Luxor solar modules. Eco in this case means especially economical: The high wattage makes the module the ideal solution for industrial scale equipments. From the open-field facilities, through the tracking system, to the roof-mounted installation. High-quality solar cell with highest efficiency at the best possible low light behaviour ensure the best energy output. And this at plus tolerances of 0Wp to 6.49Wp.

Further high-end components: An especially durable plug-in connection guarantees the best power contact under all conditions, and the hollow-section frame made of anodised aluminium and compatible with every assembly system, is torsionally stiff and corrosion-free. Manufactured according to German standards each Luxor solar module is marked by a special level of durability and reliability.

ECO LINE M60/275 - 295 W

Monocrystalline module family

Module type LX - XXXM/156-60+ | XXX = Rated power P_{mpp}

Electrical data at STC					
Rated power P _{mpp} [Wp]	275.00	280.00	285.00	290.00	295.00
P _{mpp} range to	281.49	286.49	291.49	296.49	301.49
Rated current I _{mpp} [A]	9.05	9.11	9.17	9.23	9.29
Rated voltage V _{mpp} [V]	30.40	30.79	31.15	31.46	31.76
Short-circuit current I _{sc} [A]	9.61	9.66	9.71	9.75	9.80
Open-circuit voltage U _{oc} [V]	37.83	38.02	38.21	38.40	38.59
Efficiency at STC	16.92%	17.24%	17.56%	17.85%	18.14%
Efficiency at 200 W/m ²	16.51%	16.74%	16.98%	17.25%	17.51%

Electrical data at NOCT					
P _{mpp} [Wp]	204.11	207.72	211.26	214.58	217.95
Rated current I _{mpp} [A]	7.24	7.29	7.34	7.38	7.43
Rated voltage V _{mpp} [V]	28.18	28.49	28.79	29.06	29.33
Short-circuit current I _{sc} [A]	7.69	7.73	7.76	7.80	7.84
Open-circuit voltage U _{oc} [V]	35.07	35.19	35.32	35.47	35.63

Specification as per STC (Standard test conditions): irradiance 1000 W/m² | module temperature 25°C | AM = 1,5
 NOCT (nominal operating cell temperature): irradiance 800 W/m² | wind speed 1 m/sec | temperature 20°C | @45 +/- 2°C | AM = 1,5

Limiting values	
Max. system voltage [V]	1000 V
Max. return current [I]	15 A
Temperature range	-40 to 85°C
Snow-load zone ²	approval up to SLZ 3 (according to DIN 1055)
Max. pressure load (static) [Pa]	5400
Max. dynamic load [Pa]	2400

Temperature coefficient	
Temperature coefficient [V] [I] [P]	-0.30% /°C 0.06% /°C -0.40% /°C

Specifications	
Number of cells (matrix)	6 x 10, three strings in a row 156 mm x 156 mm
Module dimensions (L x W x H) ² Weight	1640 mm x 992 mm x 35 mm 18.5 kg
Front-side glass	3.2 mm hardened solar glass with low iron content
Frame	stable, anodised aluminium frame in a hollow-section design
Socket	plastic (PPO), ventilated and strain-relieved, at least IP65
Cabel	4 mm ² solar cable, cable length 1.0 m
Diodes	3 Schottky Diodes 15A/45V
Plug-in connection	high-quality plug-in system, (IP67) MC4 or equivalent
Hail test (max. hailstorm)	∅ 45 mm impact velocity 23 m/s

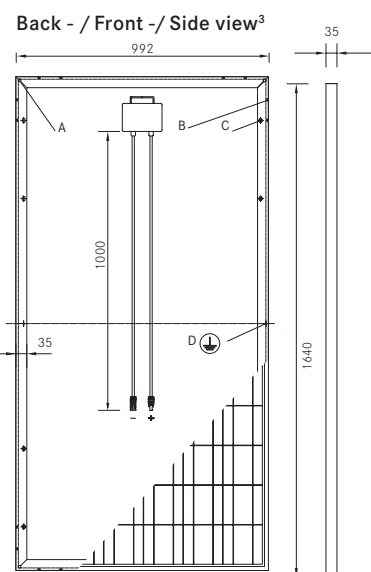
The specifications and average values can vary slightly. What is important is the corresponding data of the individual measurement. Specifications are subject to change without notice. Measurement tolerance: rated power +/- 3%, other values +/- 10%, all information in this data sheet corresponds to DIN 50380. A potential light-induced degradation of the power after commissioning is not considered here, other information can be found in the installation guidelines.

1 The specific warranty conditions are given under www.luxor-solar.com/download.htm

2 For standing installation

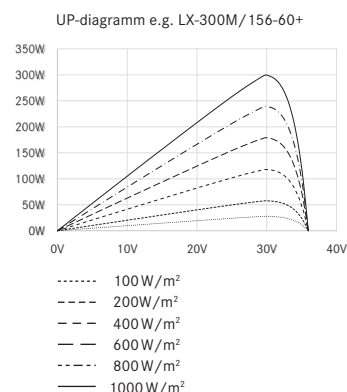
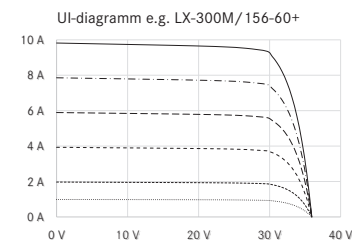
3 Tolerance L/W = +/- 3 mm, H = the dimensions given in the order confirmation will be decisive

4 Location on request



- A: 4 x drainage 10*10 mm
- B: 8 x ventilation aperture 3*7 mm
- C: 8 x mounting hole⁴ d = 7 mm
- D: 2 x earthing d = 2 mm

Electrical characteristics



Luxor, your specialised company

Guidelines: 2006/95/EG-2006/95/EC,89/336/EWG-89/336/EEC,93/68/EWG-93/68/EEC



The validity of the certificates/listings for a specific country has to be examined under:
www.luxor-solar.com/download.htm