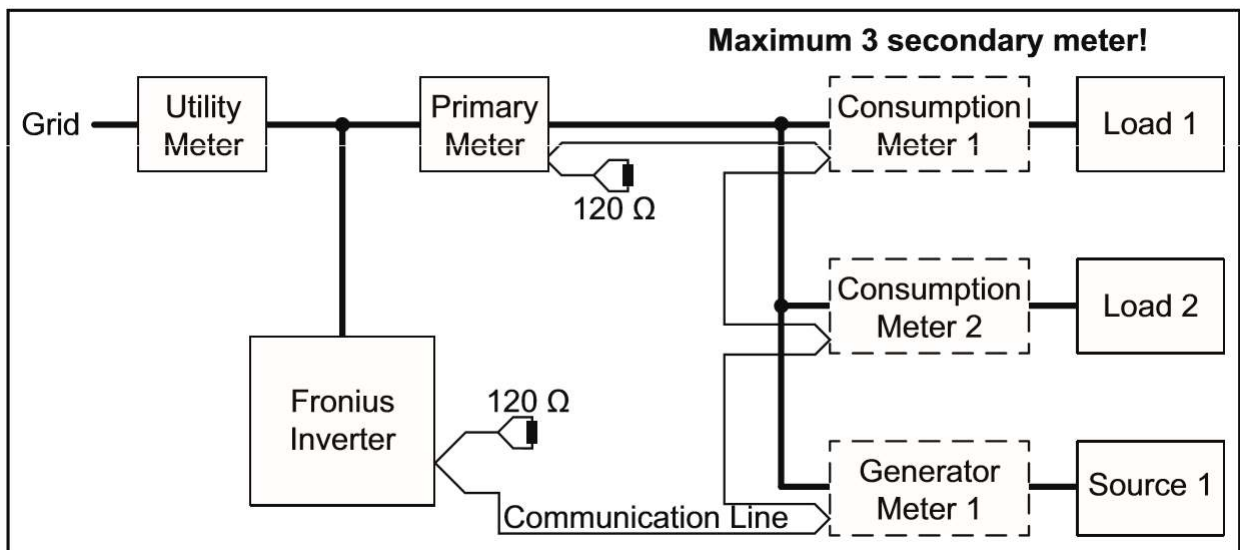


Quick Installation Guide Energy profiling (Fronius Smart Meter 50kA-3 / 63A-1 / 63A-3)

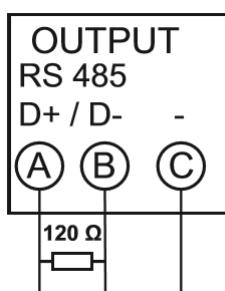
- 1.) AC wiring of Fronius smart meter
- 2.) Serial connecton of Modbus RTU cables

Example with Datamanager and four Fronius smart meter:



- 3.) Connect terminating resistor to the first Modbus device

As far as a Fronius smart meter is the first or last Modbus component, the enclosed terminating resistor has to be connected to the data line.



4.) Assigning an unique Modbus ID for each Fronius Smart Meter in the range of 1 – 4.

Attention: The number of feasible Fronius Smart Meters depends is limited in combination with the Fronius Symo Hybrid and/or the Fronius Ohmpilot. The options are listed in the following table

Number of Fronius smart meters

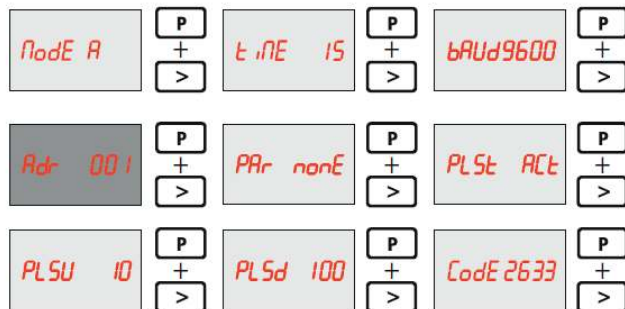
	without Fronius Ohmpilot	With Fronius Ohmpilot TCP/WiFi	Fronius via	With Fronius Ohmpilot Modbus via RTU
Inverter with Datamanager 2	4	4		3
Fronius Symo Hybrid	2	2		1

Set the address of the Fronius Smart Meter:

1 Enter the password "2633"



2 Select the Address menu item – do not change any other settings!



3 Set the relevant address

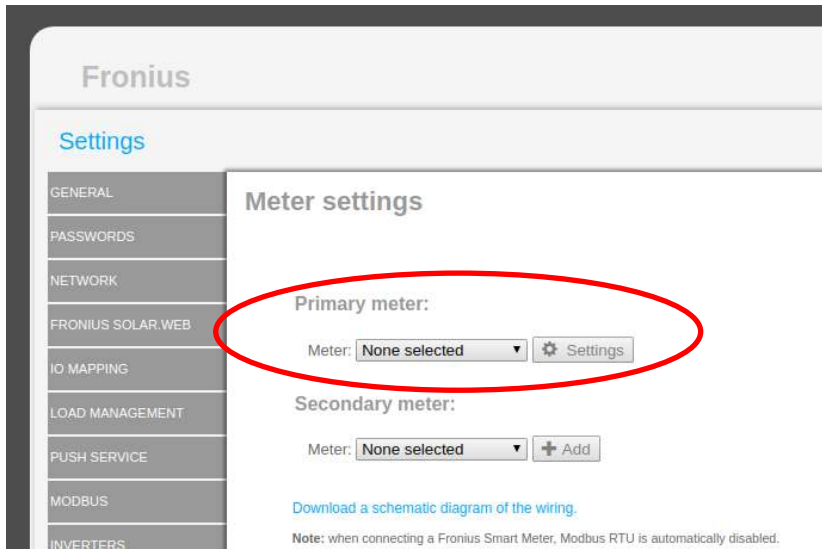
- Page Moves the cursor
 - Prog Increases/decreases the set value
 - Page + Prog Confirms
- Values that can be selected: 1 to 255



Configure Smart Meter in the web interface:

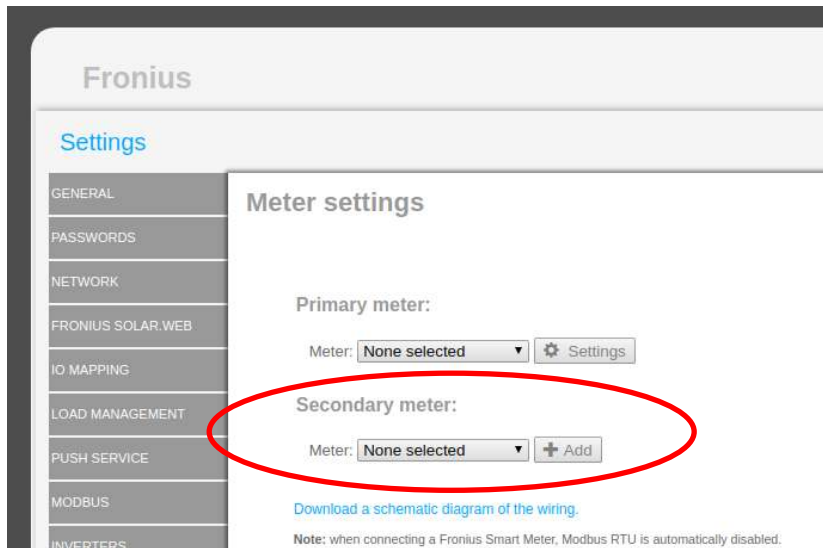
- 1 Open the web interface of the Fronius Datamanager and "Settings"
- 2 Select and add secondary meter
- 3 Enter designation and set Modbus address
- 4 Add meter description
- 5 Repeat the process for additional meters, if necessary

- 5.) Configuration of the primary meter, the Solar Battery and Ohmpilot in the Datamanager/Symo Hybrid in the Userinterface.

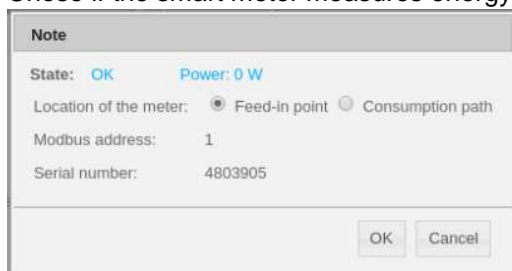


Configuration of secondary smart meters in Datamanager/Symo Hybrid user interface. It's mandatory to set a primary meter before setting secondary meters.

- a. Click to add a secondary smart meter



- b. Chose if the smart meter measures energy production or energy consumption



c. Enter designation and the chosen Modbus ID

Note

Name:

Modbus address:

d. Chose smart meter category

Note

State: OK Power: 999 W

Location of the meter: Generator meter Consumption meter

Category:

Name:

Modbus address:

Serial number:

6.) The actual power is shown for each smart meter

Example: Primary smart meter and two secondary smart meter

Fronius

? 1 FR EN

Settings

- GENERAL
- PASSWORDS
- NETWORK
- FRONIUS SOLAR WEB
- IO MAPPING
- LOAD MANAGEMENT
- PUSH SERVICE
- MODBUS
- INVERTERS
- FRONIUS SENSOR CARDS
- METER
- SNO EDITOR

Meter settings

Primary meter:

Meter: Fronius Smart Meter

Secondary meter:

Meter: Fronius Smart Meter

List of configured meters:

Meter type	Location of the meter	Category	Name	Meter value	Settings	Delete
Fronius Smart Meter	Feed-in point		Primary meter	Consumption: 0 W	<input type="button" value="⚙"/>	
Fronius Smart Meter	Generator meter	Photovoltaic Inverter + storage unit	Generator x	-122 W	<input type="button" value="⚙"/>	<input type="button" value="✖"/>
Fronius Smart Meter	Consumption meter	Heat pump	Consumer x	-1000 W	<input type="button" value="⚙"/>	<input type="button" value="✖"/>

[Download a schematic diagram of the wiring.](#)

Note: when connecting a Fronius Smart Meter, Modbus RTU is automatically disabled.

Configuration positions

Note: The picture below is only an example intended to describe the position of secondary meters. A configuration is not possible here.

