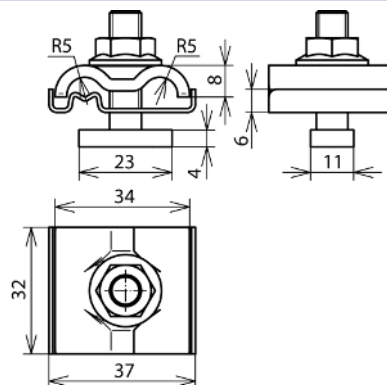




(540 250)



Figure without obligation



Part No.	540 250
Material of clamp	StSt
Clamping range Rd	8-10 mm
Connection (solid/stranded)	4-50 mm ²
Screw	hammer-head bolt M8x30 mm
Self-locking nut	width across flats 13 mm
Material of screw/nut	StSt
Standard	EN 50164-1
Weight	60 g
Customs tariff number	85389099
GTIN	4013364138650
PU	50 pc(s)

We reserve the right to introduce changes in performance, configuration and technology, dimensions, weights and materials in the course of technical progress. The figures are shown without obligation.