

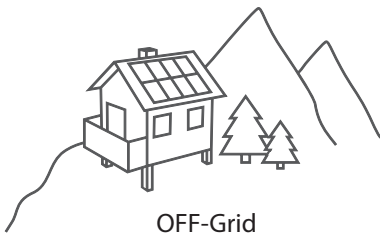


B-Box 12.8



The battery for all applications

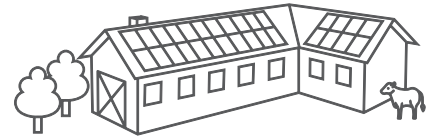
- From 12,8 to 409 kWh
- 1 and 3 phase systems
- Maximum security, cycle-stability and power
- Emergency-backup through high discharge power
- Upgrade anytime



OFF-Grid

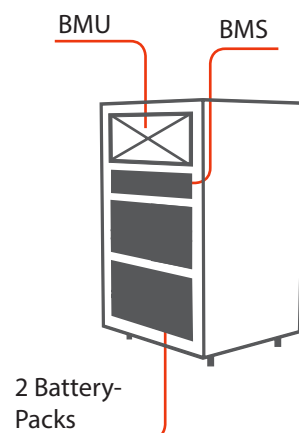


Increased self-consumption



Commercial applications

B-Box 12.8



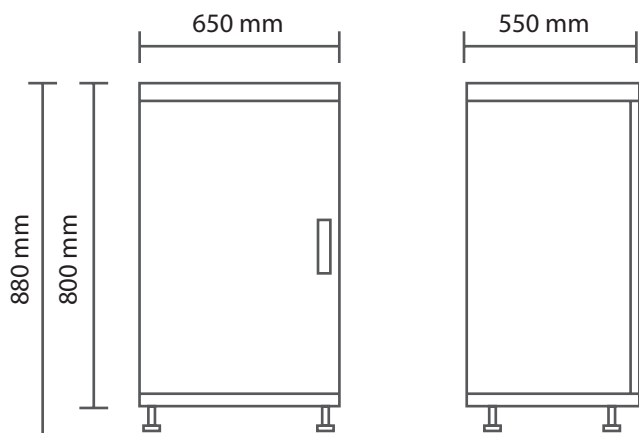
The BYD B-Box is a lithium iron phosphate (LiFePO₄) battery unit with battery management system (BMS) for usage with an external inverter. Thanks to its control- and communication port (BMU), the B-Box grows with its requirements. Start with B-Box 12.8 (12,8 kW/12,2 kWh) and extend anytime to 409,6 kW / 390,4 kWh using parallel interconnection of up to 32 devices.

- Flexible combination of capacity by parallel interconnection of several systems

Lithium iron phosphate

- Lithium iron phosphate (LiFePO₄) batteries cannot oxidize and are therefore extremely safe. This assures, that even in a fire or another external violence, the battery will not be a source of danger.
- Environment-friendly
- Particularly high battery power (1C) with very long life-time
- Proven and tested in electric vehicles and energy storage applications worldwide

Dimensions



Technical parameters



B-Box 12.8

Battery type	Lithium iron phosphate (LiFePO ₄)
Battery configuration	B-PLUS 12.8 (12,8 kWh)
Nominal capacity	12,8 kWh
Usable capacity ¹	12,2 kWh
Max output power	12,8 kW
Peak output power, 60 sec	13,3 kW
Nominal voltage	51,2 V _{DC}
Voltage range	43,2-56,4 V
Ambient temperature ²	-10 °C to +50 °C
Interfaces	RS485/CAN
Round trip energy efficiency	≥ 95,3 %
Warranty	10 years
Certifications and standards	UL1642 for cell, EMC (EN 61 000 chapter 4.2, 4.3, 4.5, 4.6; EN55022), dangerous goods (UN3480, UN38.3)
IP protection class	IP20
Dimensions (W/D/H)	650 x 550 x 880 mm
Weight	175 kg
Compatible inverters	SMA / Goodwe / Solax / Victron - updated list on www.eft-systems.de
Scalable	Extend anytime / up to 32 systems parallel / 409 kWh (390 kWh usable)

[1] Test Conditions: 0,25C discharge @+25°C

[2] -10°C to 12°C will be derating

BYD
BYD Company Limited
www.byd.com/energy
E-Mail: bydbbox@byd.com

BYD B-BOX EU Service Partner
EFT-Systems GmbH
www.eft-systems.de
info@eft-systems.de

Your energy storage expert: