



- RENEWABLE ENERGY FOR HOMES, INDUSTRY AND E-MOBILITY
- SMART GREEN ENERGY 6,8 kWh - 980 kWh
- HIGHEST CHARGING / DISCHARGING POWER
- ON- / OFF-GRID

The Future is Now

German Engineered

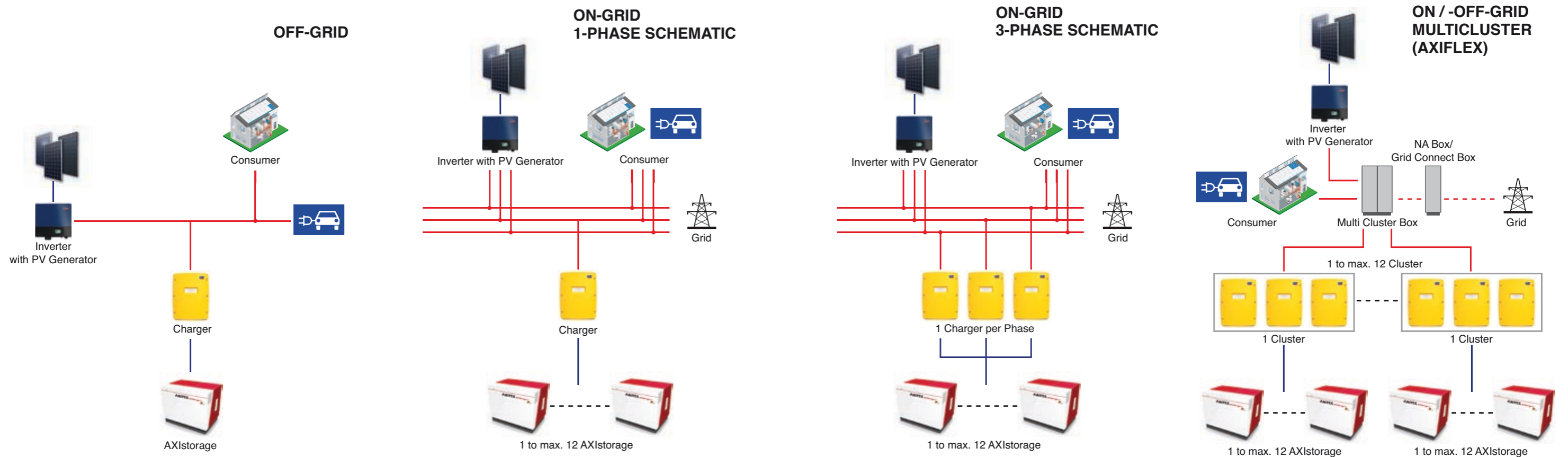
AXIstorage Li 7S

ENERGY FOR A BETTER WORLD



6.600 charging cycles	6.8 kWh capacity	980 kWh flexible
-----------------------------	------------------------	------------------------





AXIStorage with SMA	1x Li 7S	2x Li 7S	3x Li 7S	4x Li 7S	5x Li 7S	6x Li 7S	7x Li 7S	8x Li 7S	9x Li 7S	10x Li 7S	11x Li 7S	12x Li 7S	AXIflex
Nominal Capacity [kWh]	6,8	13,6	20,4	27,2	34,0	40,8	47,6	54,4	61,2	68,0	74,8	81,6	<div style="border: 1px solid black; padding: 5px; text-align: center;"> 980 kWh flexible </div>
*Charging Power DC [kW] bis zu (90Ax55,5V=4,99kW)	5,0	10,0	15,0	20,0	25,0	30,0	35,0	40,0	45,0	50,0	55,0	60,0	
*Discharging Power DC [kW] bis zu (150Ax55,5V=8,325kW)	8,3	16,7	25,0	33,3	41,6	50,0	58,3	66,6	74,9	83,3	91,6	99,9	
Depth of Discharge [DoD]	80%	80%	80%	80%	80%	80%	80%	80%	80%	80%	80%	80%	
Working capacity [kWh]	5,4	10,8	16,2	21,6	27,0	32,4	37,8	43,2	48,6	54,0	59,4	64,8	
Number of cycles per AXIStorage	6.600	6.600	6.600	6.600	6.600	6.600	6.600	6.600	6.600	6.600	6.600	6.600	
*Charging time at nominal output [h] (105Ah/90A=1,167h)	1,17	2,33	3,50	4,67	4,67	7,00	8,17	9,33	10,50	11,67	12,83	14,00	
*Discharging time at nominal output [h] (105Ah/150A=0,7h)	0,70	1,40	2,10	2,80	3,50	4,20	4,90	5,60	6,30	7,00	7,70	8,40	
Batterysystem													
Electric charge (nominal) up to [Ah]	121,5	243,0	364,5	486,0	607,5	729,0	850,5	972,0	1093,5	1215,0	1336,5	1458,0	Individual capacities of up to 326 kWh on-grid and 980 kWh off-grid can be modular designed with the SMA multicuster.
Charging / Discharging Current max per Storage [A]	90 / 150	90 / 150	90 / 150	90 / 150	90 / 150	90 / 150	90 / 150	90 / 150	90 / 150	90 / 150	90 / 150	90 / 150	
DC Nominal voltage [V]	55,5	55,5	55,5	55,5	55,5	55,5	55,5	55,5	55,5	55,5	55,5	55,5	
System	1-phase/ 3-phase	1-phase/ 3-phase	1-phase/ 3-phase	1-phase/ 3-phase	1-phase/ 3-phase	1-phase/ 3-phase	1-phase/ 3-phase	1-phase/ 3-phase	1-phase/ 3-phase	1-phase/ 3-phase	1-phase/ 3-phase	1-phase/ 3-phase	
*Power supply	Inv. dependent	Inv. dependent	Inv. dependent	Inv. dependent	Inv. dependent	Inv. dependent	Inv. dependent	Inv. dependent	Inv. dependent	Inv. dependent	Inv. dependent	Inv. dependent	
General Data													
** Dimensions (HxWxD) [mm]	1. Towers 2. Towers 3. Towers 4. Towers	536 x 675 x 475 - - -	1072 x 675 x 475 - - -	1608 x 675 x 475 - - -	1072 x 675 x 475 1072 x 675 x 475 - -	1608 x 675 x 475 1072 x 675 x 475 - -	1608 x 675 x 475 1608 x 675 x 475 - -	1608 x 657 x 475 1608 x 675 x 475 536 x 657 x 475 -	1608 x 675 x 475 1608 x 675 x 475 1072 x 675 x 475 -	1608 x 675 x 475 1608 x 675 x 475 1608 x 675 x 475 -	1608 x 675 x 475 1608 x 675 x 475 1608 x 675 x 475 536 x 675 x 475	1608 x 675 x 475 1608 x 675 x 475 1608 x 675 x 475 1072 x 675 x 475	1608 x 675 x 475 1608 x 675 x 475 1608 x 675 x 475 1608 x 675 x 475
Total weight [kg]		98	196	294	392	490	588	686	784	882	980	1078	1176

Installation conditions	Description
Location	Inside
Protection Category	IP 21
Warehousing Temperature	+10°C up to +30°C
Range of Temperature	0 - 45°C
Max. Air Humidity (not condensing)	85%
Warranty (AXIStorage)	Description
Warranty	10 years
Value replacement warranty	10 years
Lifespan (25°C, max 6.600 cycles)	up to 20 years

Security	Description
Standards and user guidelines	VDE-AR-E2510-50, VDE-AR-E250-2, DIN EN 62619 (draft standard), FNN-Note, CE, UN38.3
Lifespan (25°C) 80% DoD	6.600 Full cycles
Cell-Type	Samsung / Sony 18650
Battery	Monitoring of current, voltage and temperature; protection against deep discharge; active current control; double wall housing

* The values given are theoretical (maximum loading / unloading) without consideration of the inverter used
 ** Max. 3 storages are allowed on one another; the minimum distance between the individual storages and walls must be taken into account
 In many countries the company logo SMA and Sunny Island are registered trademarks of SMA Solar Technology AG

Technical data are subject to change without prior notice, errors excepted.





AXIstorage Li 7S

HIGH-PERFORMANCE LITHIUM-IONS-ENERGY STORAGE FOR RESIDENTIAL, E-MOBILITY AND COMMERCIAL APPLICATIONS

Recommended configuration AXIstorage Li 7S with SMA Sunny Island

